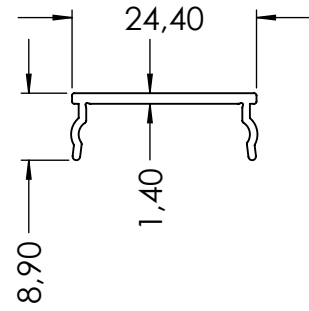
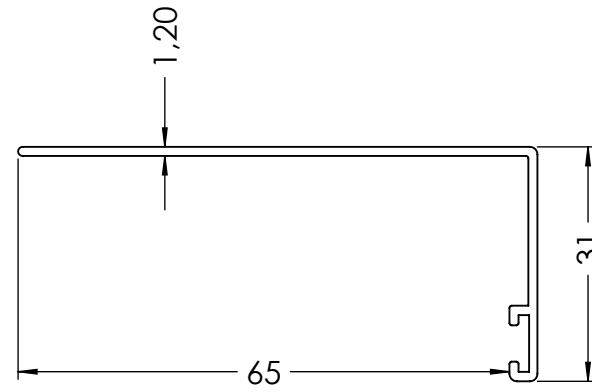


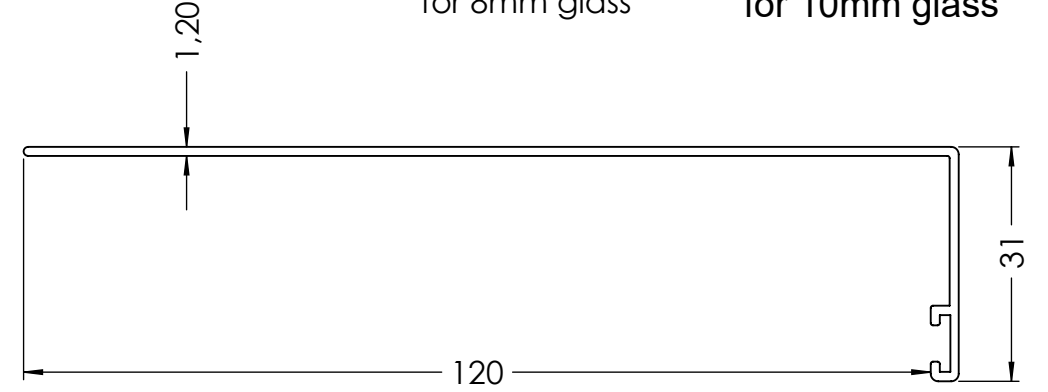
GF-10-01



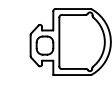
GF-10-02



GF-10-04



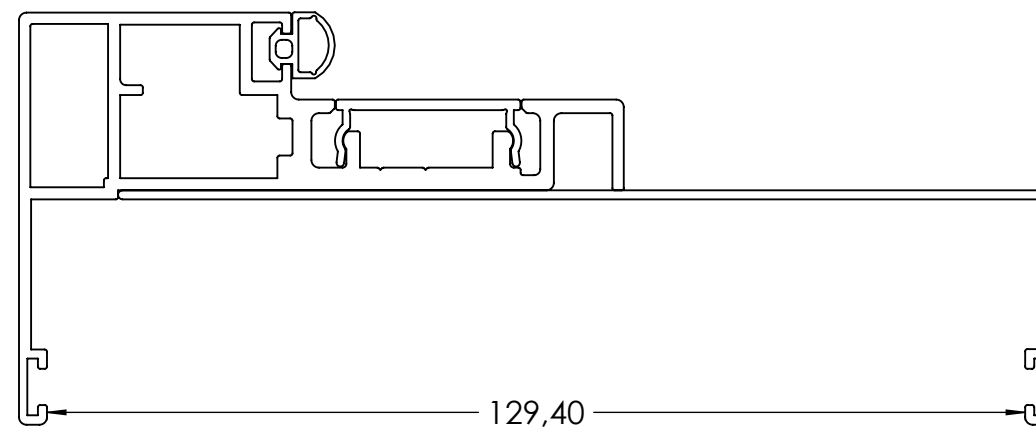
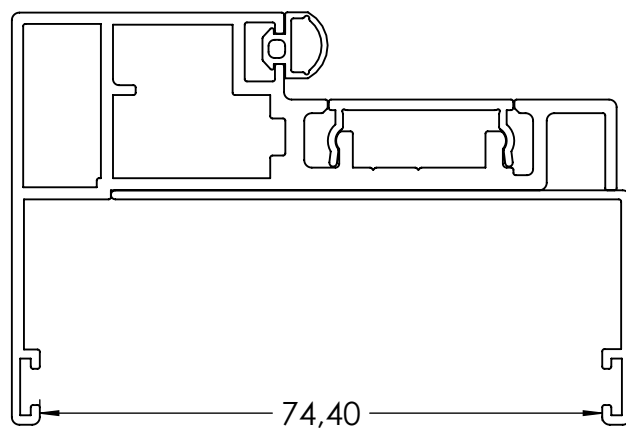
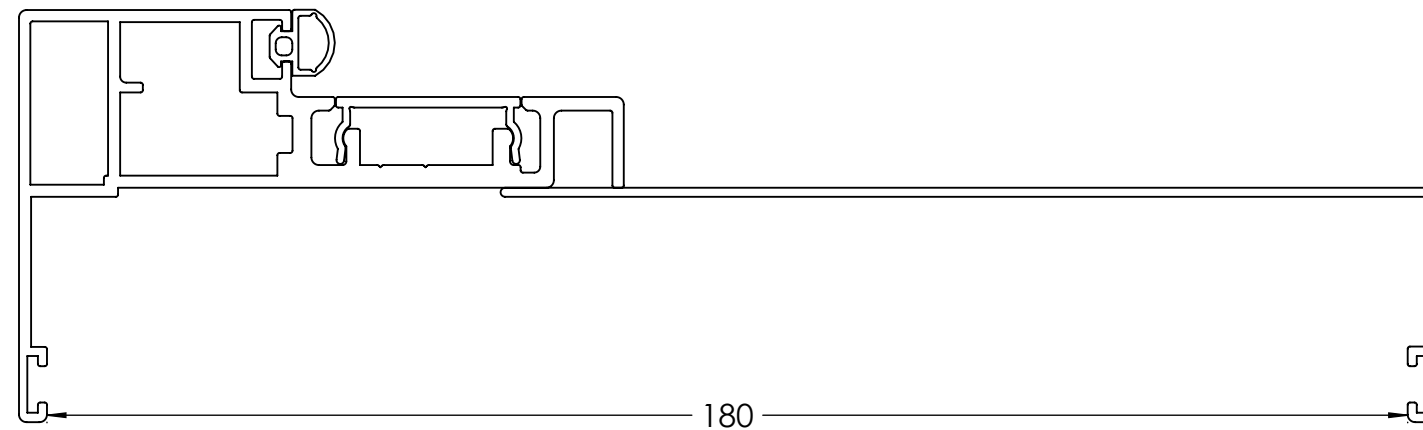
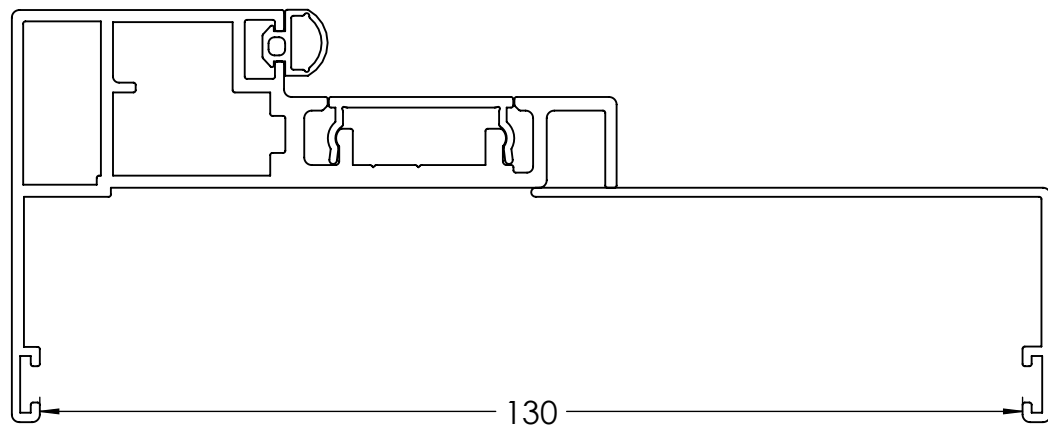
GF-10-03



GF-10-08
for 8mm glass



GF-10-10
for 10mm glass



- available anodize colors:
- inox
 - natural
 - black

- available rubber colors:
- gray
 - black



PANIDIS S.A
PRODUCTION OF ALUMINIUM RAILING SYSTEMS & ACCESSORIES
TEL: +30 2310 780352-784 519, FAX: +30 2310 783764
www.panidis-sa.com e-mail: info@panidis-sa.com

DWG NO.		GF-10	
MATERIAL:	WEIGHT:	REVISION:	DATE:
UNLESS OTHERWISE SPECIFIED: DIMENSIONS ARE IN MILLIMETERS		DO NOT SCALE DRAWING	
TOLERANCES:	LINEAR:	SHEET 2 OF 5	
	ANGULAR:	SCALE: 1:1	

A3