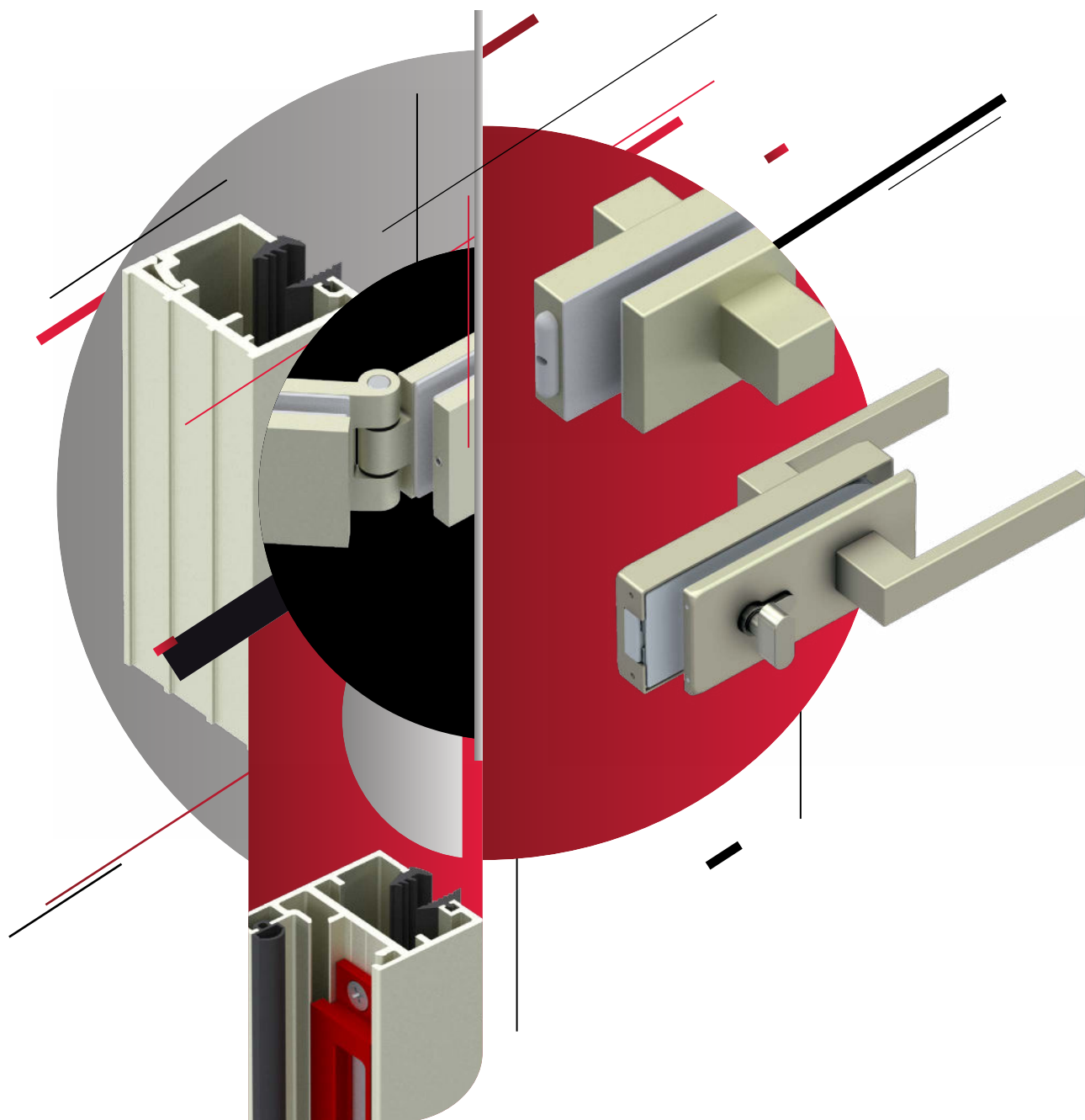
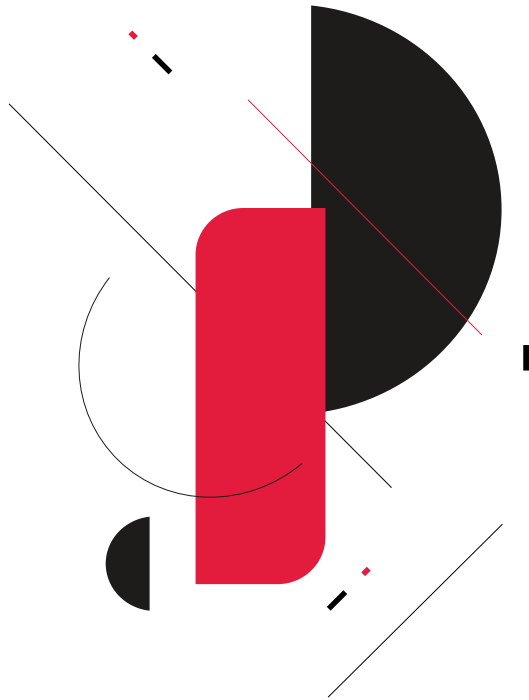


GF-20

ALUMINIUM
DIVIDER SYSTEM
FOR GLASS PANELS





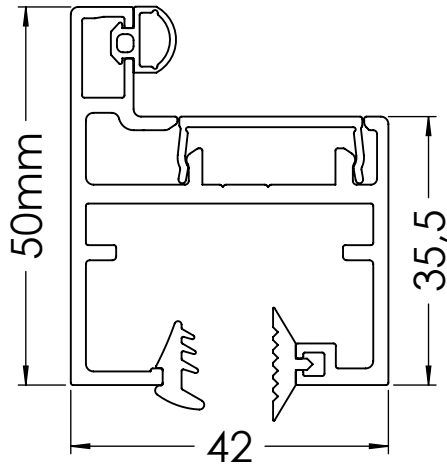


GF-20 System

PANIDIS S.A. presents for the first time an aluminium divider system for glass panels.

Technically advanced and aesthetically flawless in its design, with an anodized finish or powder coating in a number of shades, the new system is manufactured with top quality materials and stands out for the incredible reliability and functionality that offers. In combination with its design's clever innovations, it contributes to stock reduction and secures flexible, easy, and fast

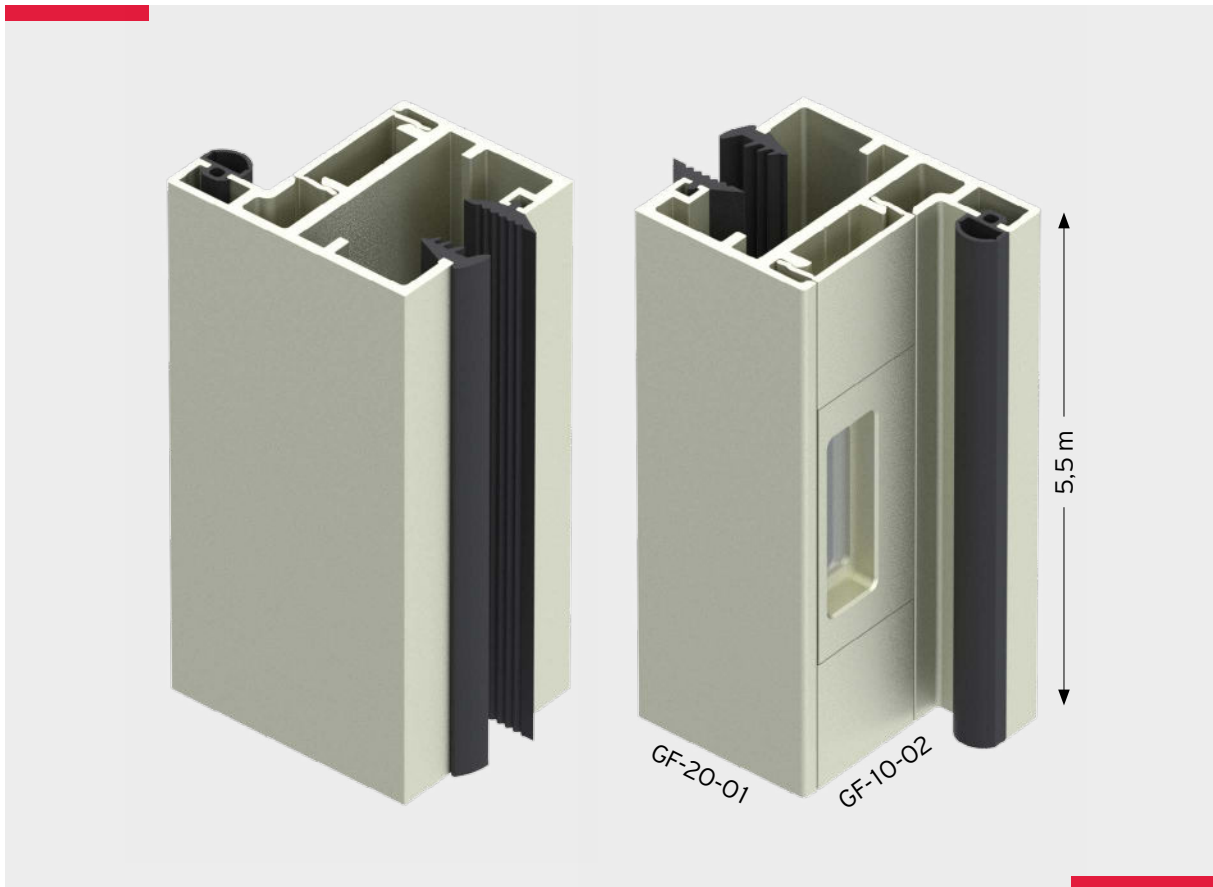
setup, without causing wear or aesthetic imperfections in the frame. The new system is the ideal choice for installation in residential and professional spaces.

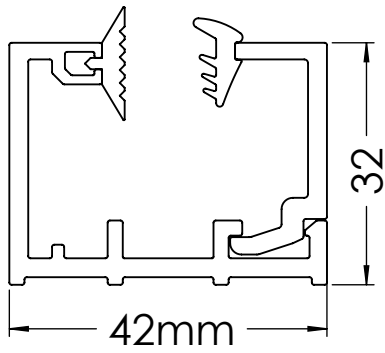


GF-20

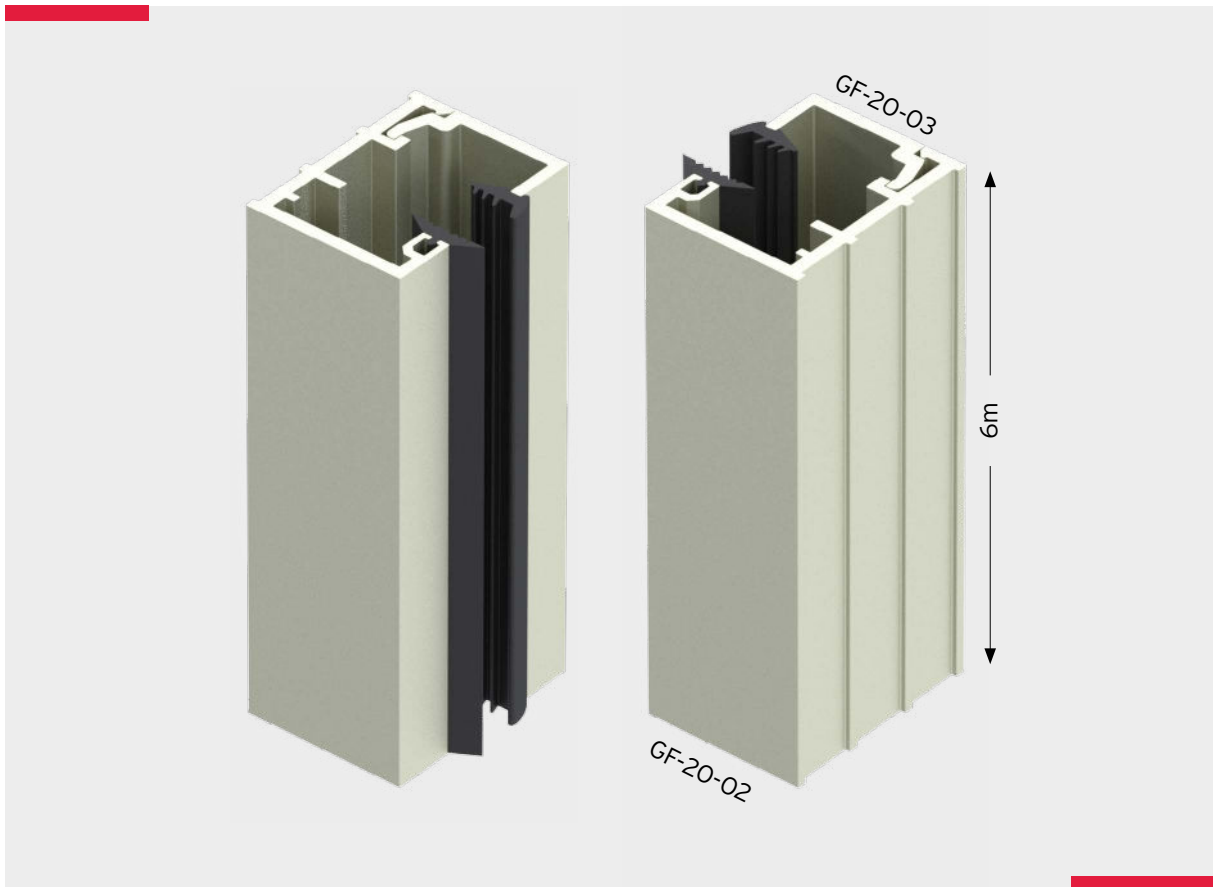
ALUMINIUM DIVIDER SYSTEM

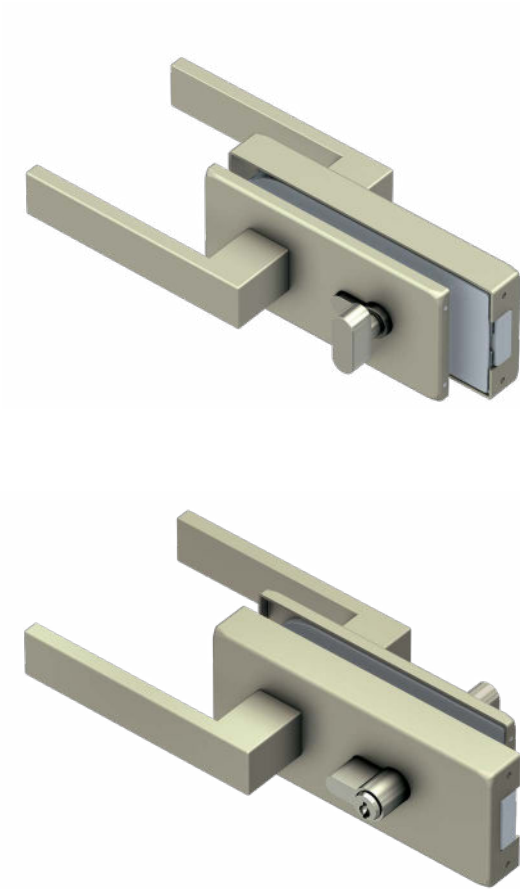
- The system is consist of 4 aluminium profiles, 2 profiles with 5,5 meters length (GF-20-01, GF-10-02) and 2 profile with 6 meters length (GF-20-02, GF-20-03), resulting in reduced stock required and limiting material waste.
- The aluminium profiles are available in many finishing options: natural anodized, satiné (inox look) anodized, black anodized, or powder coating in selected shades from the RAL palette.
- The frame is easily and quickly installed, it harmoniously encases the base and creates an aesthetically flawless result.
- Suitable for installation of glass panels ranging from 8mm to 10mm in thickness.





- The lock strike plate is placed in a special formed channel, either at the right or at the left side of the frame, without requiring processing of the frame (cutting), which causes wear and aesthetic imperfections.
- By placing the bases of the hinges in the specially formed channel of the frame, the channel acts as a guide for easy, quick, and correct door placement.
- Connection and alignment corners are provided, for a more rigid and solid application on corners.
- The system contains a rubber sealant which absorbs vibrations when the door is shut, decreases noise, and reduces odours and heat loss. Rubber sealants for fixed glass panels are also provided.
- Instant delivery with complete installation handbook and technical support if needed.





GL-100 MAGNETIC LOCK

- Flawless minimal aesthetic design and ergonomic handle.
- Glass thickness range from 8mm to 10mm.
- Available for glass, wall and aluminium profiles.
- The magnetic latch offers silent operation and minimizes vibrations when shutting the door.
- When locked in the open position, the latch is deactivated, preventing people from becoming trapped in non-accessible areas, protecting the glass panels from breaking and the mechanism parts from wearing.
- It is placed on doors opening either to the left or to the right. The inner part of the mechanism is easily installed on doors opening either to the left or to the right, thus reducing the stock keeping quantities.
- The latch counterpart is installed in a specially formed channel in the frame using screws, which are completely covered by the frame casing.
- Available with 3 cylinder options:
key - key / key - thumbturn / thumbturn - coinlatch.
- Ideal fitting for all kinds of internal doors and WC doors.
- Available in many finishing options: natural anodized, satiné (inox look) anodized, black anodized, or powder coating in a selection of shades from the RAL palette.



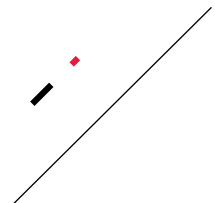
key - key

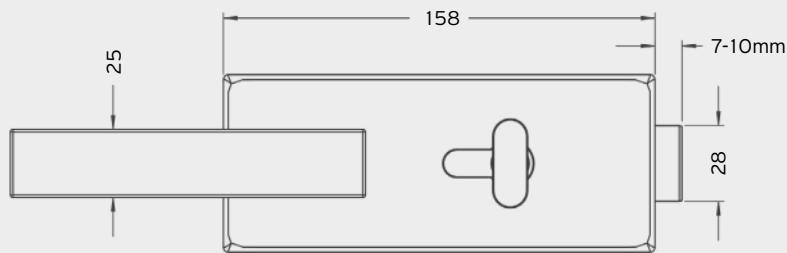
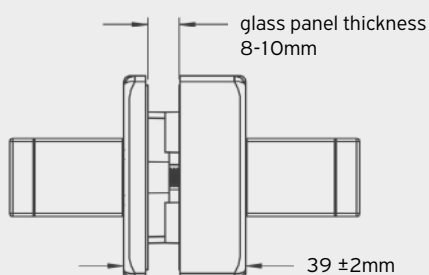
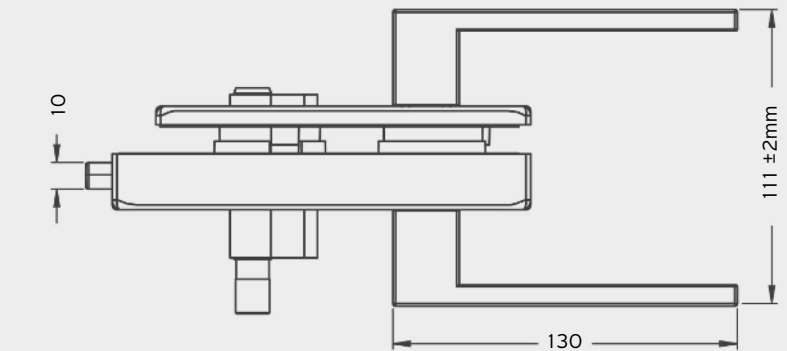


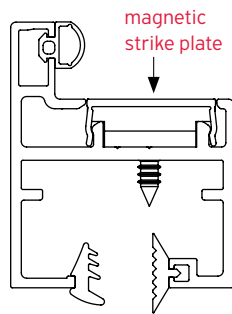
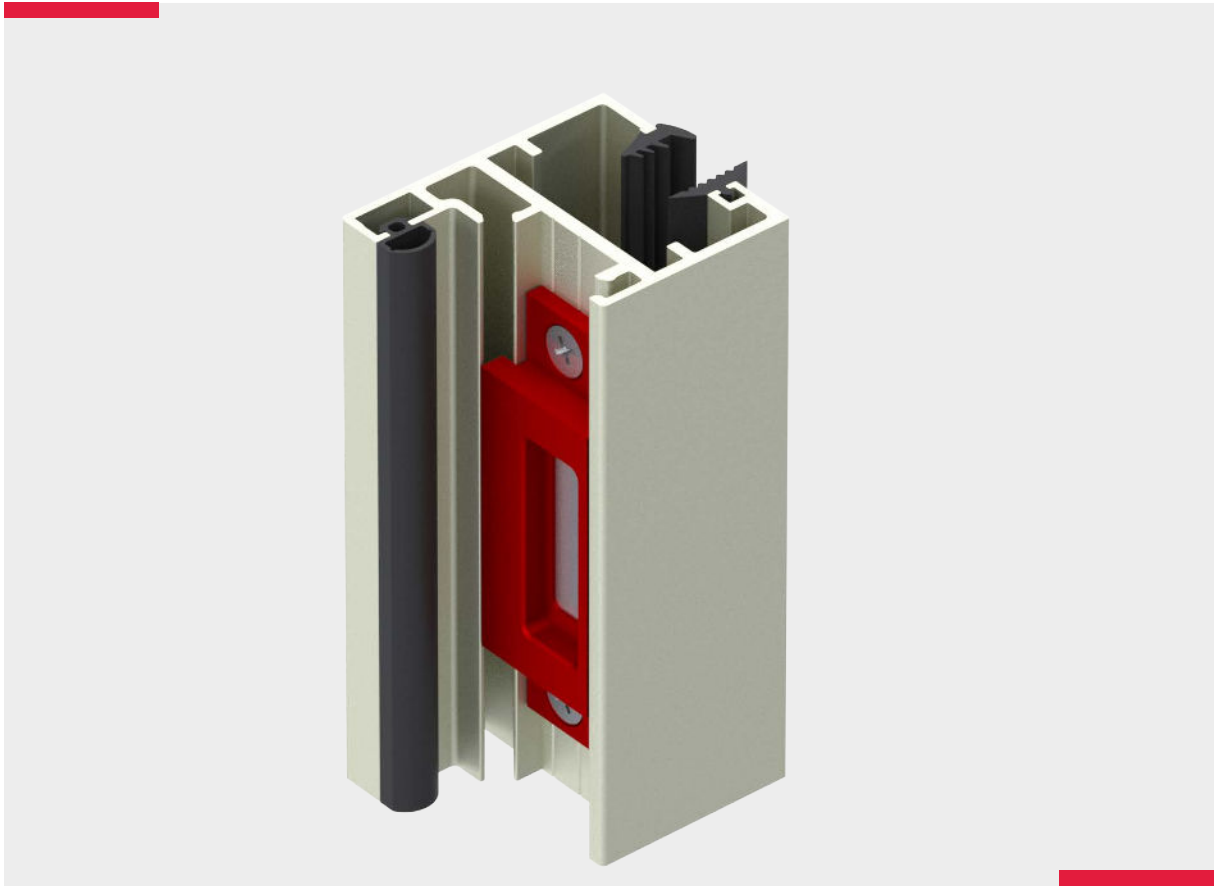
thumbturn - key button



thumbturn - coinlatch



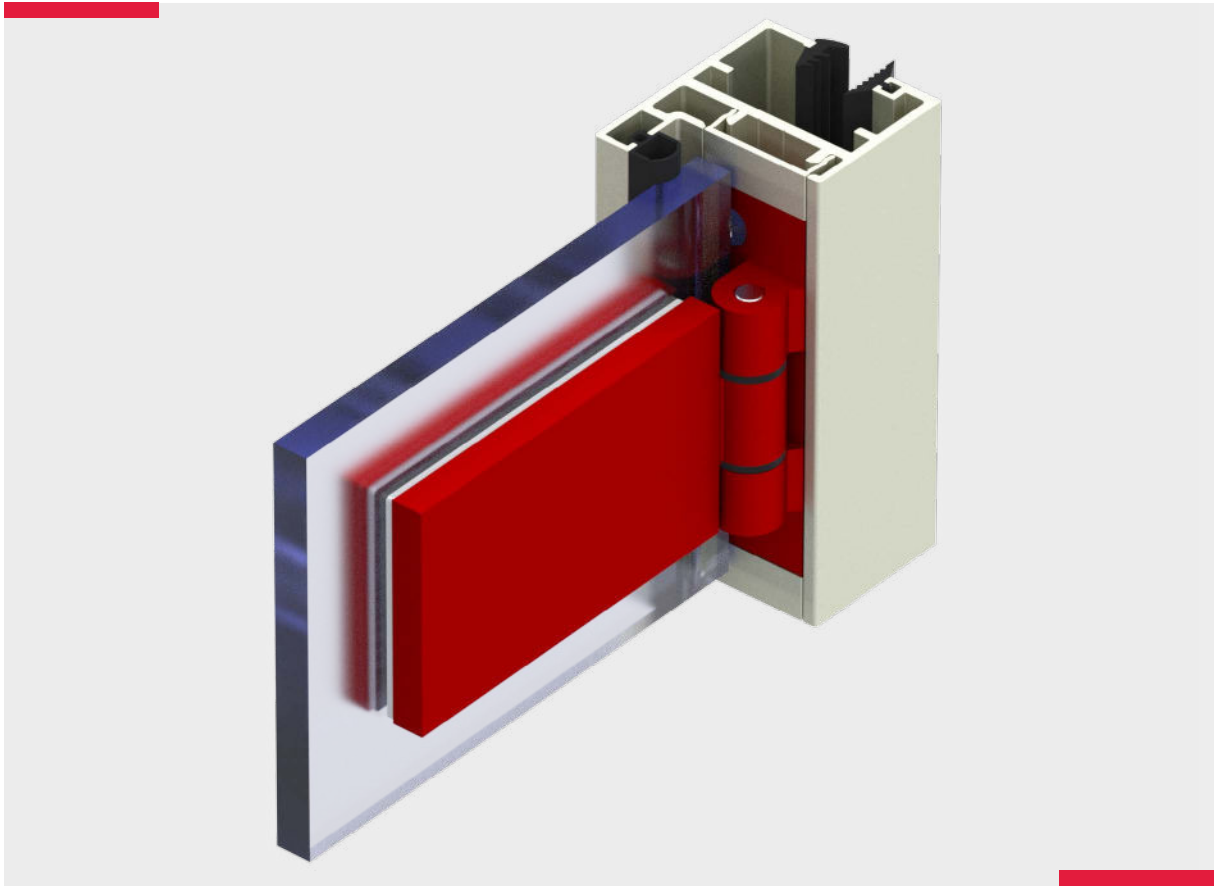




GL-102

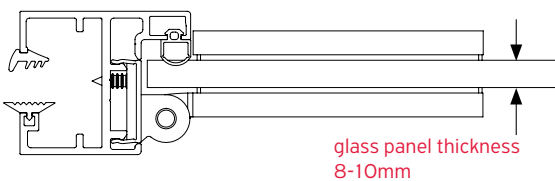
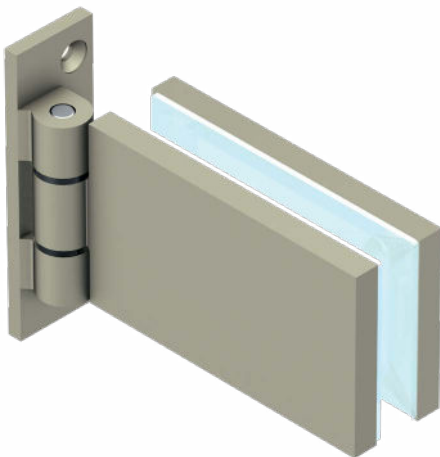
MAGNETIC STRIKE PLATE

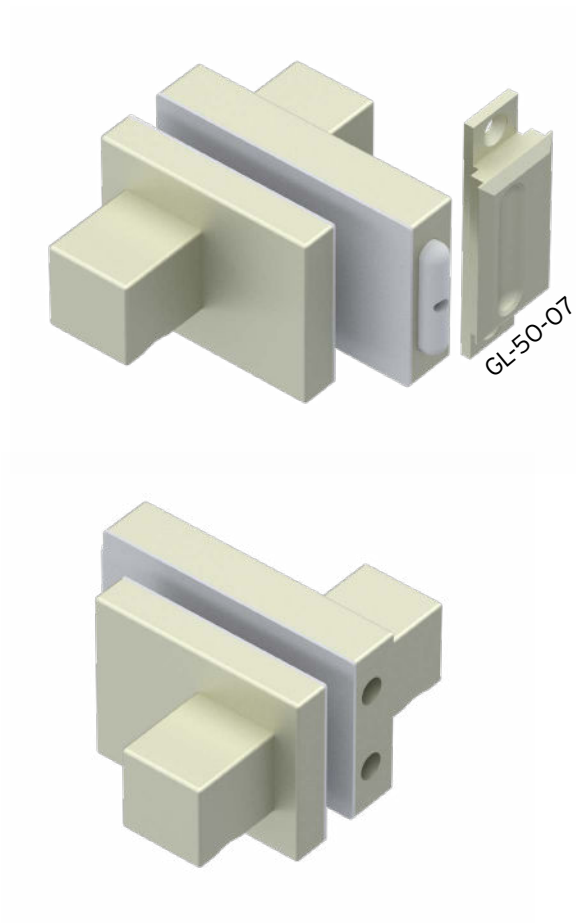
- It is placed in a specially formed channel in the frame.
- No need for extra work (cutting) on the frame, thus eliminating damages and aesthetic imperfections.
- Easy and fast installation, significantly reducing the total installation time of the frame.



GH-10 ALUMINIUM HINGE

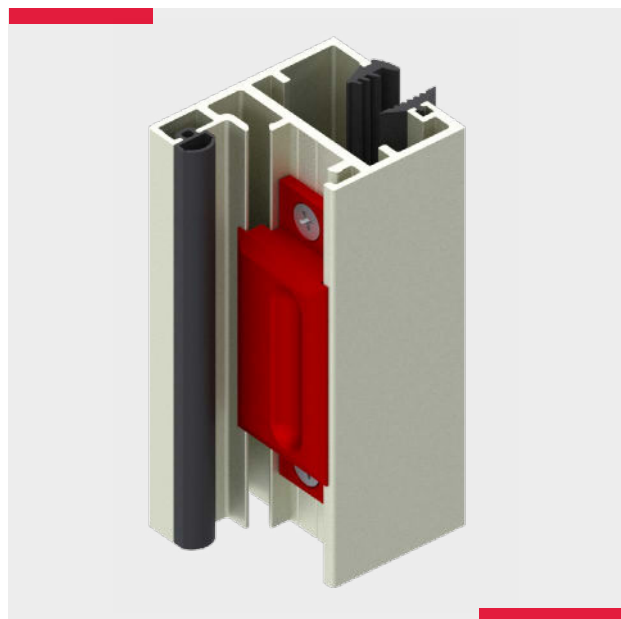
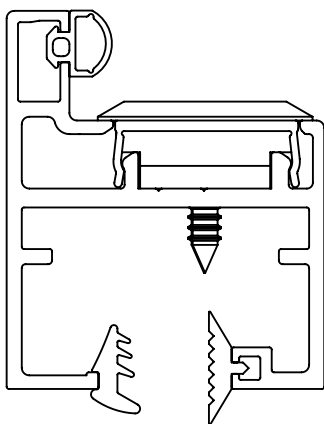
- Side aluminium hinge, Glass to Wall, free-movement without stop.
- Glass thickness range from 8mm to 10mm.
- Maximum door width 900mm.
- Maximum door weight 50kg for 2 hinges, 75kg for 3 hinges.
- Ideal for showers and interior doors installations.
- Available in Satine finish in natural, inox and black anodizing.
- RAL palette color selection.
- Suggested placement in the specially formed channel of the aluminium frame system GF-20. The channel acts as a guide for easy, quick, and correct door placement.

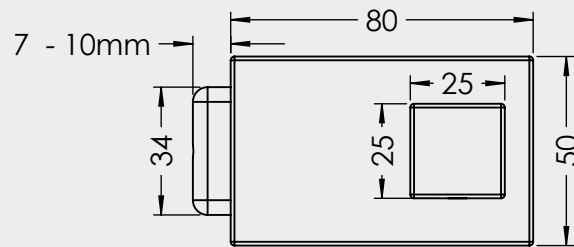
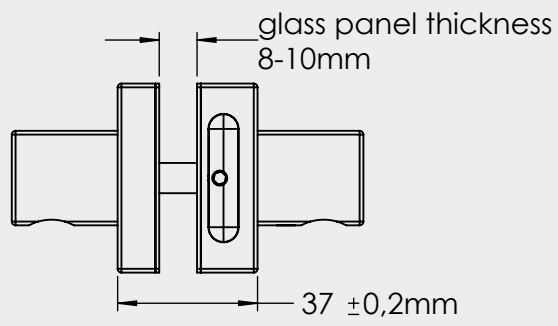
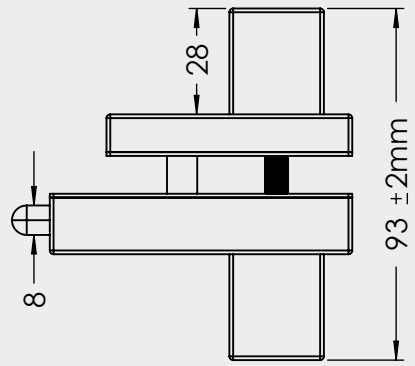


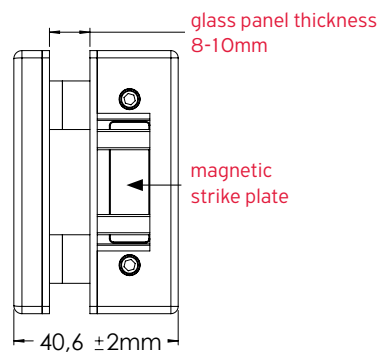
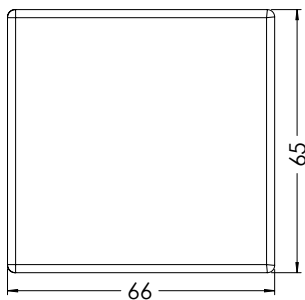
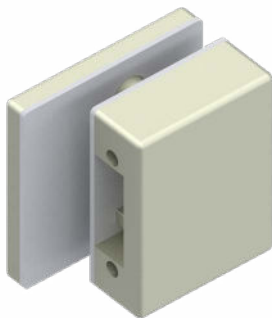
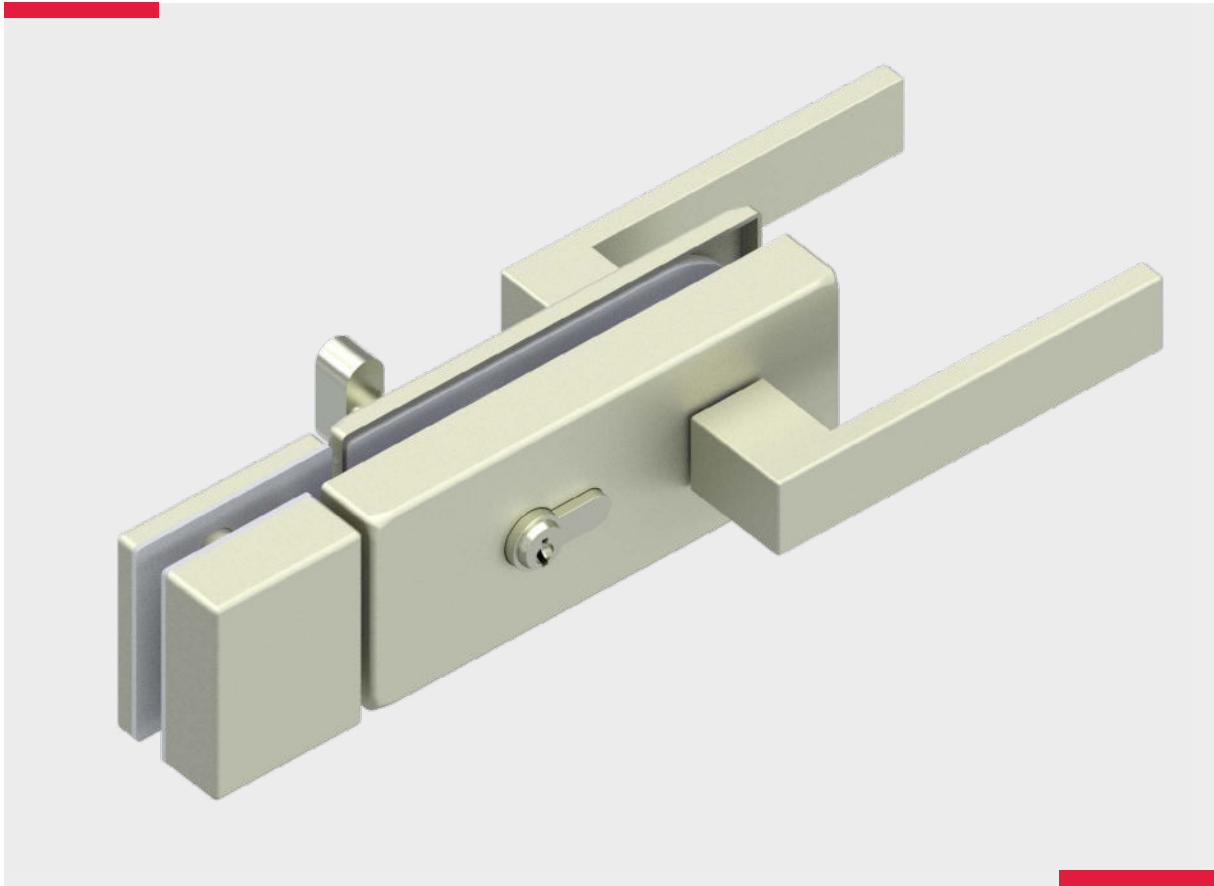


GL-50 DOOR CLIP HOLDER

- Flawless minimal aesthetic design and ergonomic handle.
- Glass thickness range from 8mm to 10mm.
- Available for glass, wall and aluminium profiles.
- The latch counterpart is installed in a specially formed channel in the frame using screws, which are completely covered by the frame casing.
- Ideal fitting for all kinds of internal doors and WC doors.
- Available in many finishing options: natural anodized, satiné (inox look) anodized, black anodized, or powder coating in a selection of shades from the RAL palette.



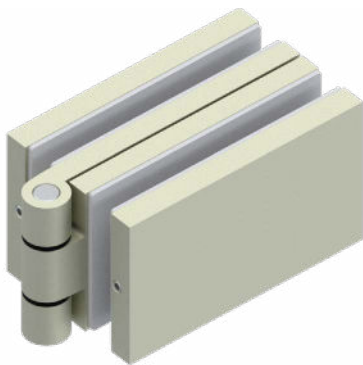
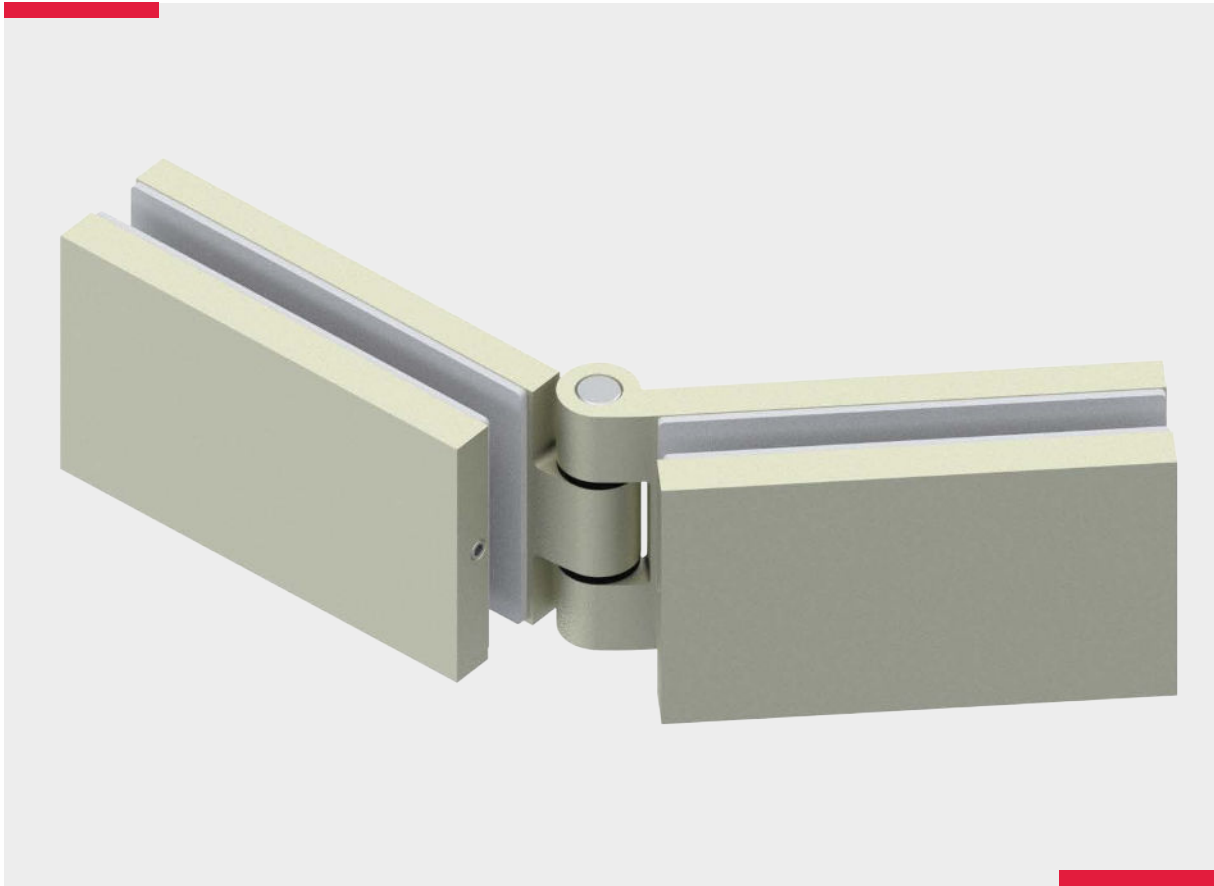




GL-101

MAGNETIC STRIKE PLATE FOR GLASS PANEL

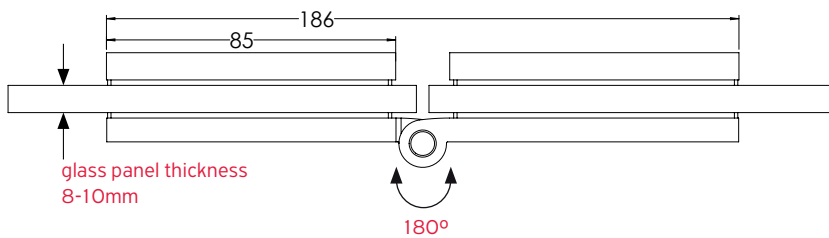
- It is placed in a specially formed channel in the frame.
- No need for extra work (cutting) on the frame, thus eliminating damages and aesthetic imperfections.
- Easy and fast installation, significantly reducing the total installation time of the frame.
- Glass thickness range from 8mm to 10mm.

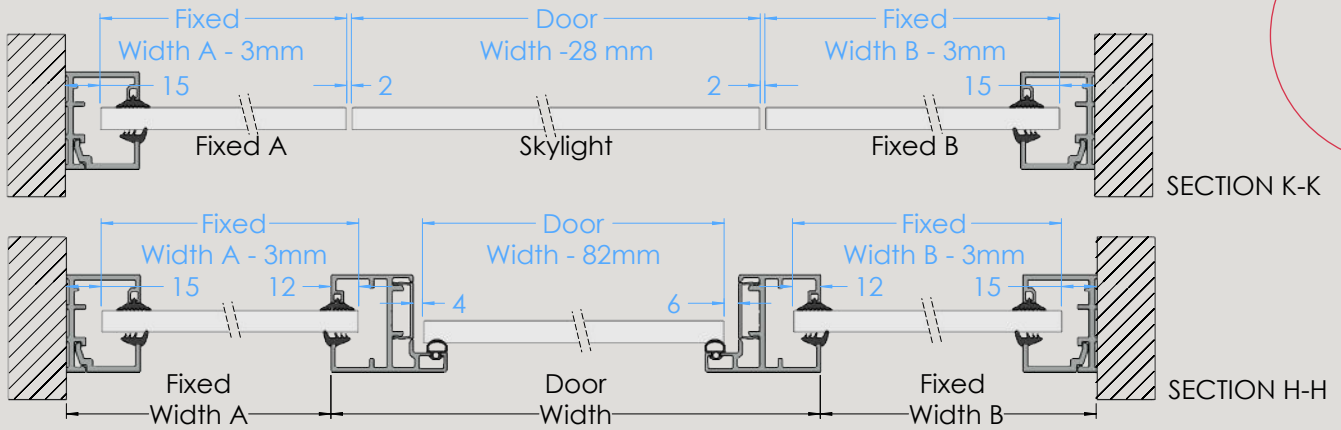
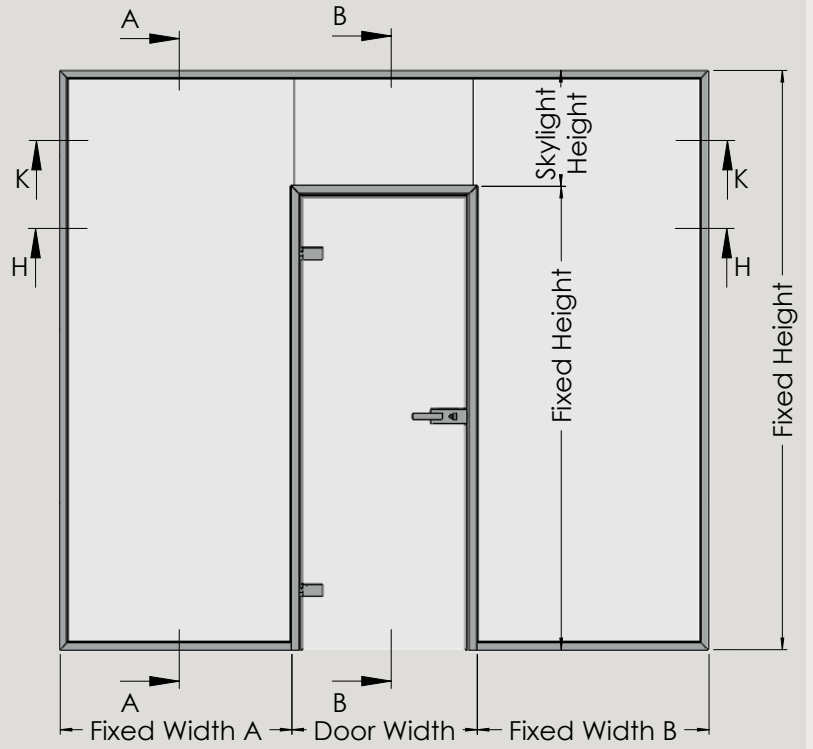
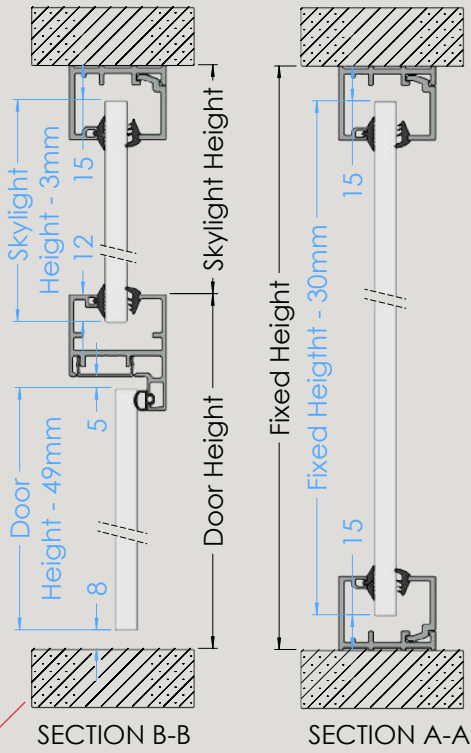


GH-20

SIDE HINGE, FREE-MOVEMENT, GLASS TO GLASS

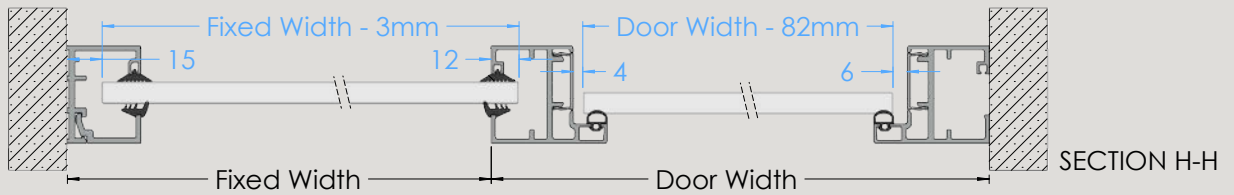
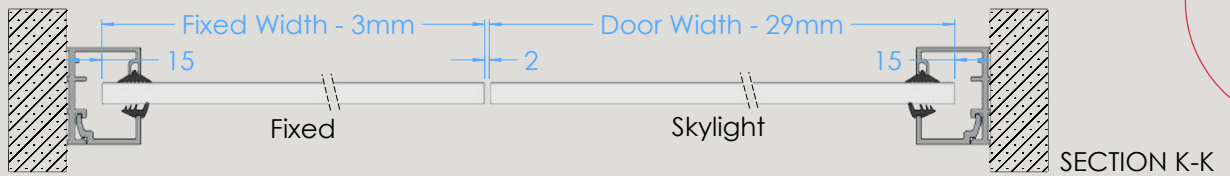
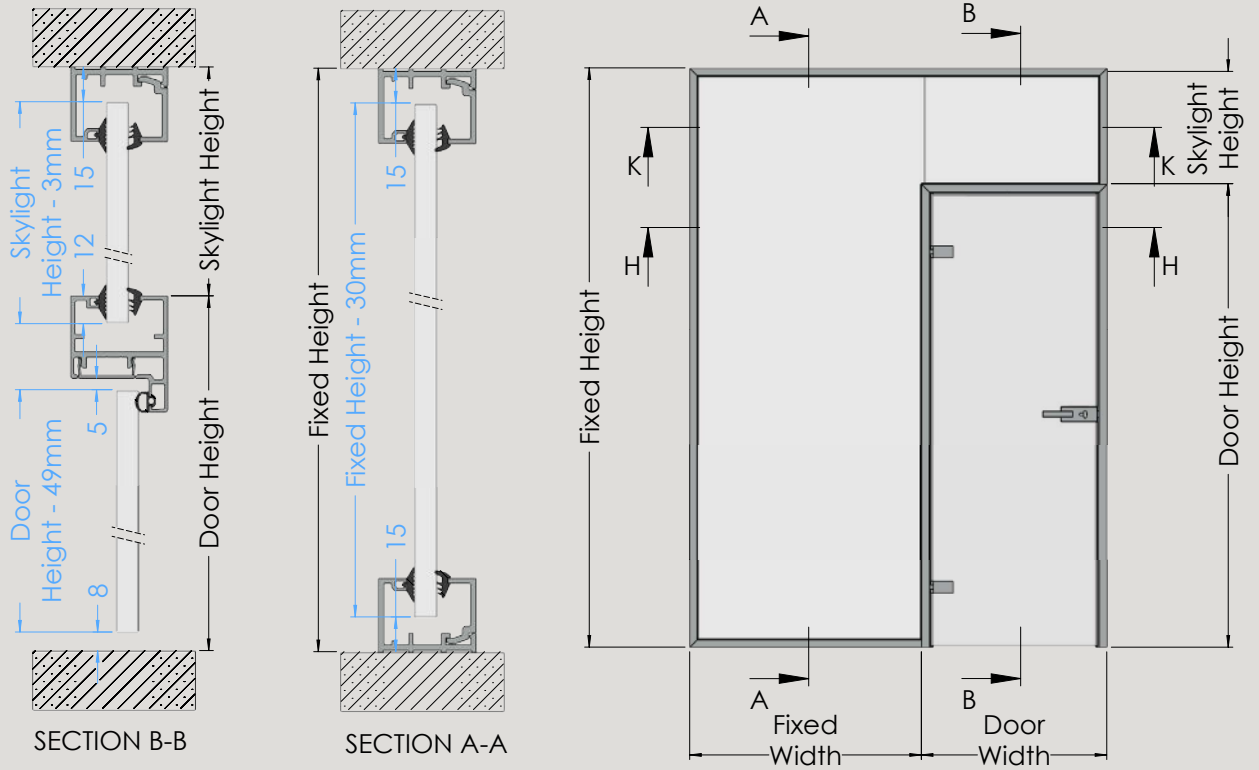
- Side aluminium hinges, Glass to Glass, free-movement without stop.
- Glass thickness range from 8mm to 10mm.
- Maximum opening angle of 180°.
- Maximum door width 900mm.
- Maximum door weight 50kgr for 2 hinges, 75kgr for 3 hinges.
- Ideal for showers and interior doors installations.

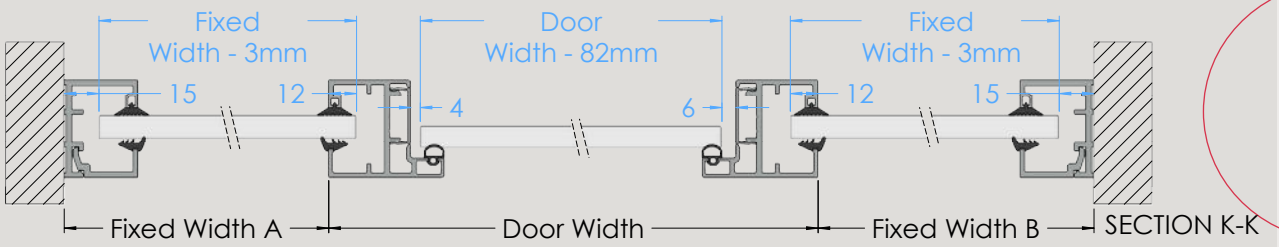
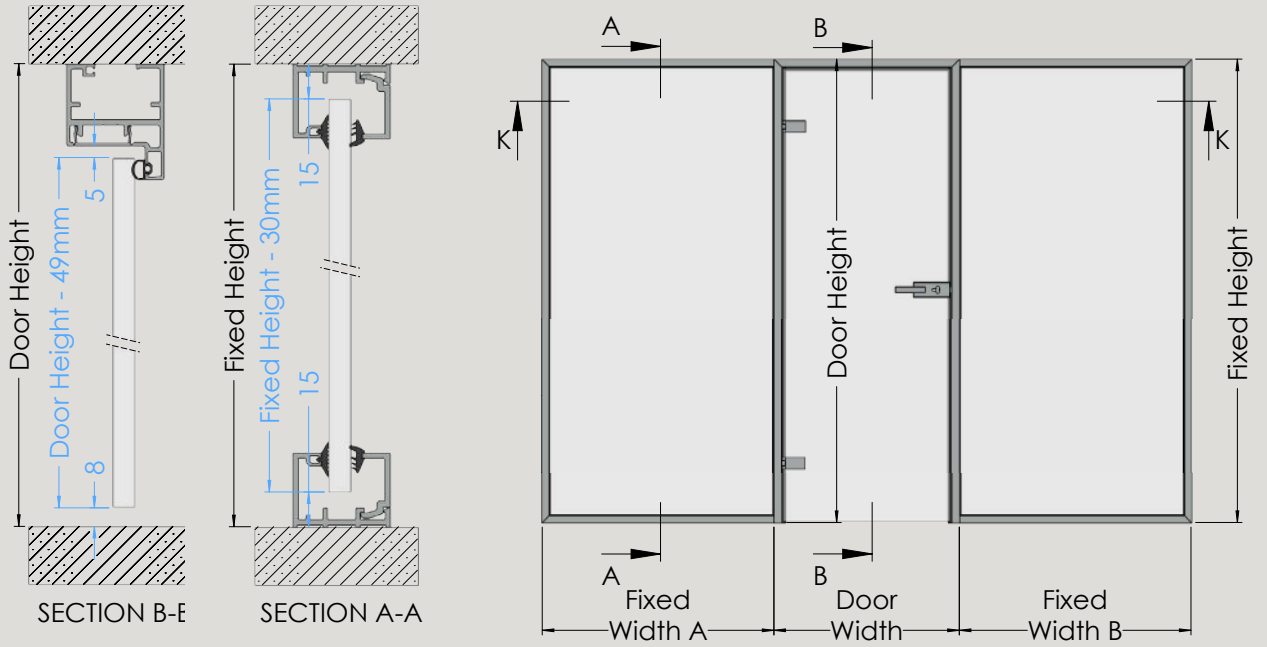


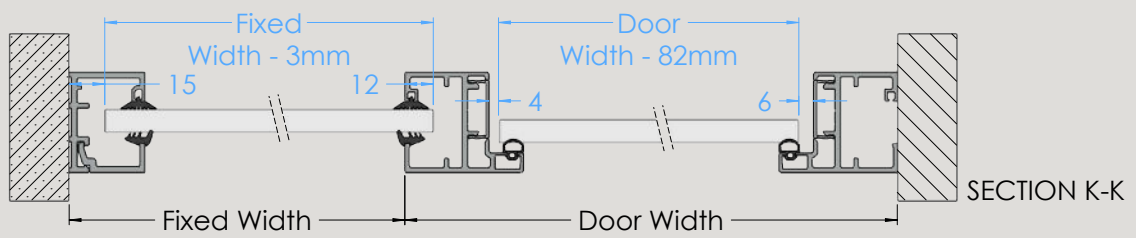
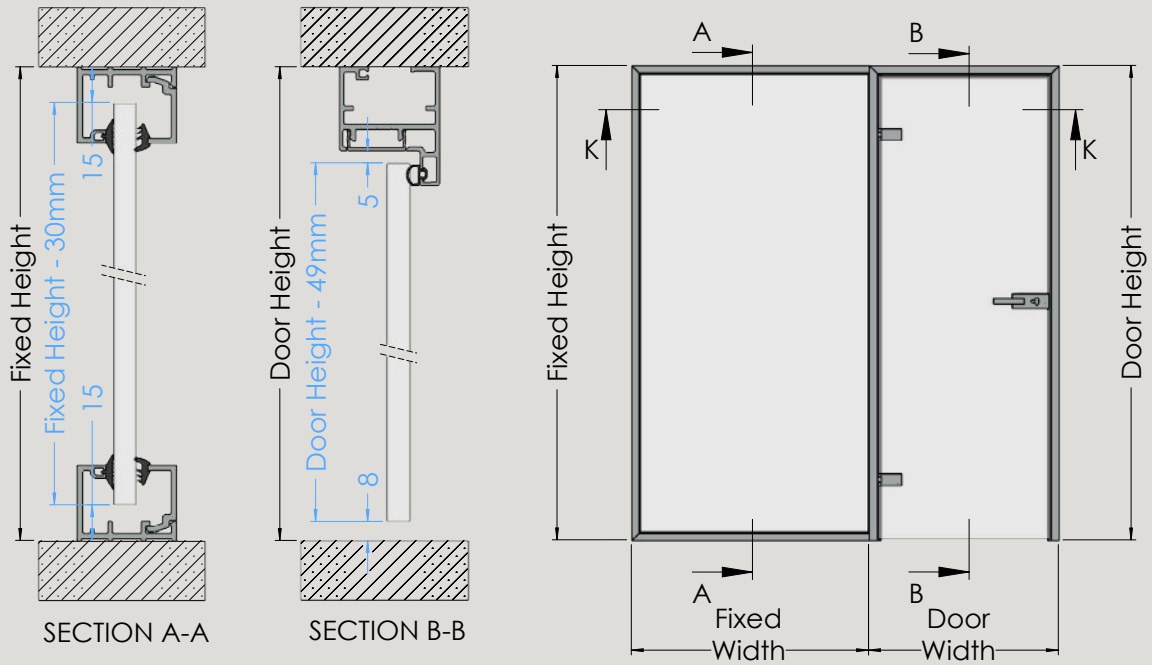


GF-20

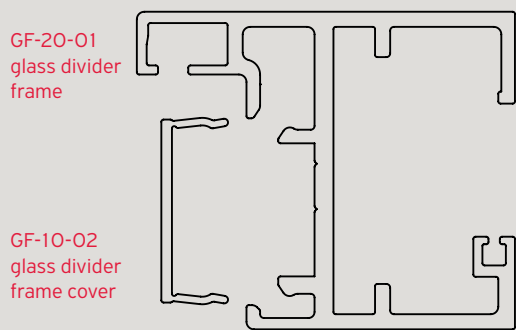
click or scan to
download the calculation
of glass panels





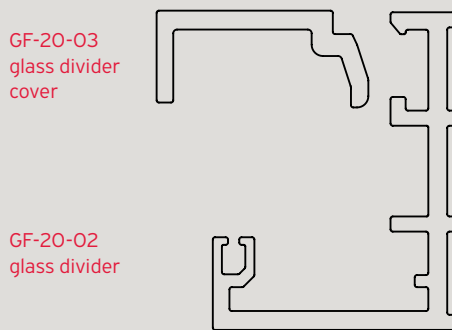


SYSTEM COMPONENTS



GF-20-01
glass divider
frame

GF-10-02
glass divider
frame cover



GF-20-03
glass divider
cover

GF-20-02
glass divider



GF-10-10
clamp rubber
for 10mm glass panels



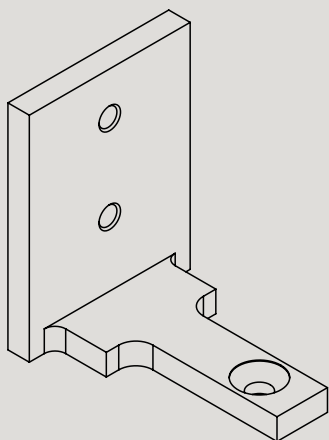
GF-10-08
clamp rubber
for 8mm glass panels



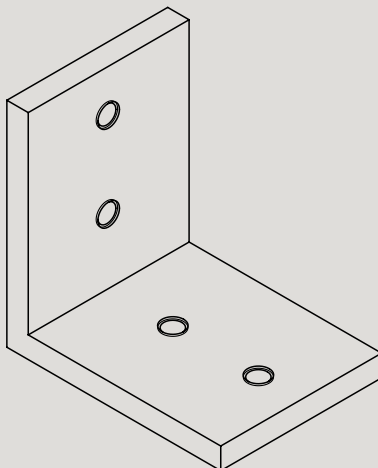
GF-20-07
seal for glass panel with
thickness 8mm to 10mm



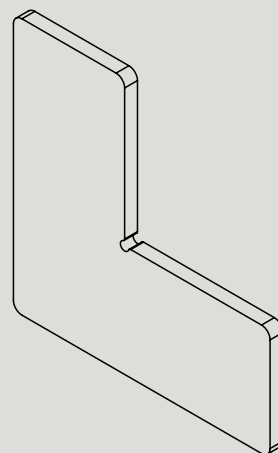
GF-20-08 / GF-20-10
seal for glass panel with
thickness 8mm to 10mm



GF-20-04
frame - divider
connection corner

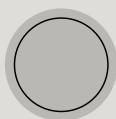


GF-20-05
frame
connection corner

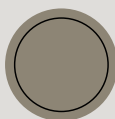


GF-20-06
alignment corner

FINISHING OPTIONS
AND AVAILABLE COLORS



Natural
anodizing



Satiné
(inox look)
anodizing



Black
anodizing



Powder coating with
color shades from the
RAL palette



WWW.PANIDIS-SA.COM

MAKEDONIKI - PANIDIS S.A.

Headquarters and factory

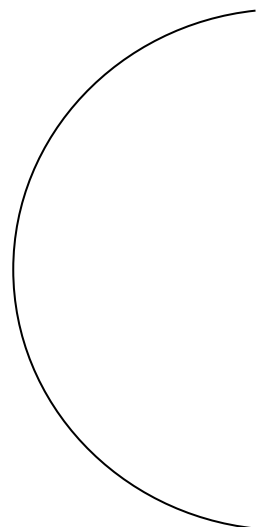
11th km Old National Road Thessaloniki - Kilkis
Po Box 141, P.C. 57008 Ionia, Thessaloniki, Greece

T +30 2310 780352
+30 2310 784519
F +30 2310 783764
E info@panidis-sa.com

Athens branch

38 Chr. Lada & Lisia
P.C 12132, Peristeri, Athens, Greece

T +30 210 5155430
+30 210 5155439
F +30 210 5155434
E athina@panidis-sa.com



GF-20

www.panidis-sa.com



GF-20

για να κατεβάσετε την
μηνιαία κάντε
click ή scan



GF-20

click or scan to
download the brochure