

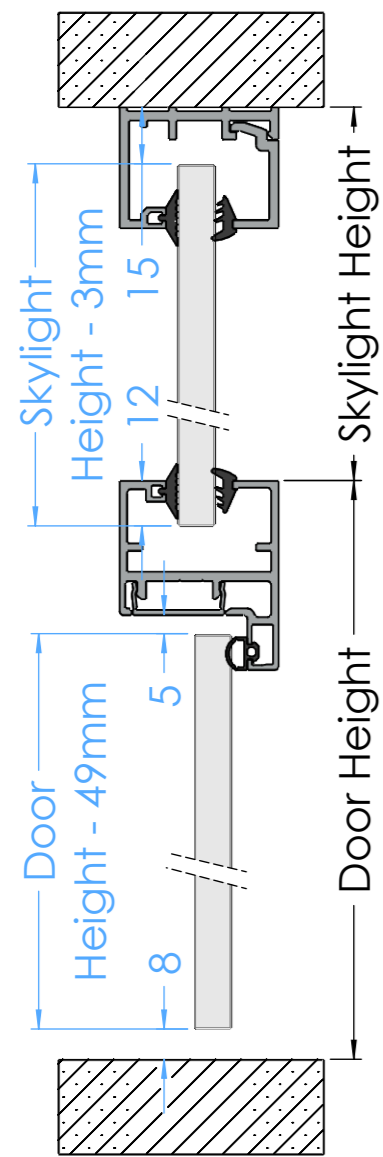
PANIDIS 
 MAKEDONIKI • ALUMINIUM SYSTEM COMPONENTS

PANIDIS S.A.
 PRODUCTION OF ALUMINIUM RAILING SYSTEMS & ACCESSORIES
 TEL:+30 2310 780352-784 519, FAX: +30 2310 783764
 www.panidis-sa.com e-mail: info@panidis-sa.com

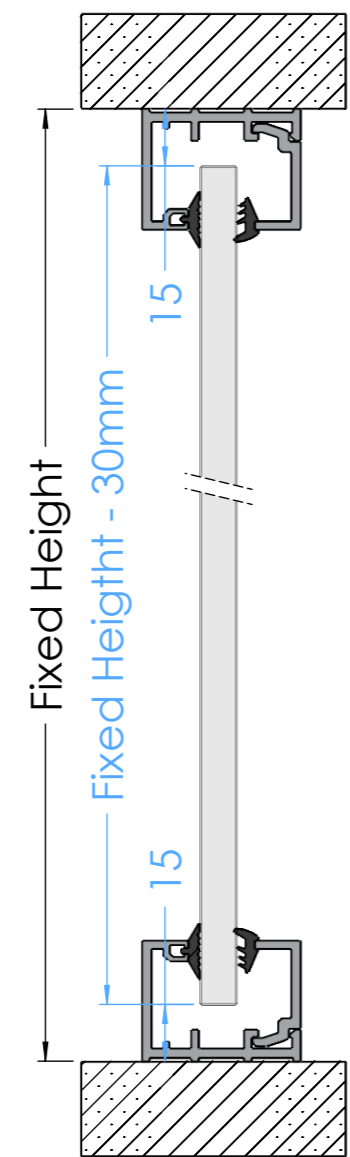
DWG NO. **GF-10/GF-10M/GF-20**
 Door glass panel calculation

MATERIAL: ANODIZED ALUMINIUM	WEIGHT:
REVISION:	DATE:
DO NOT SCALE DRAWING	
UNLESS OTHERWISE SPECIFIED: DIMENSIONS ARE IN MILLIMETERS	SHEET 1 OF 5
TOLERANCES: LINEAR: ANGULAR:	SCALE:

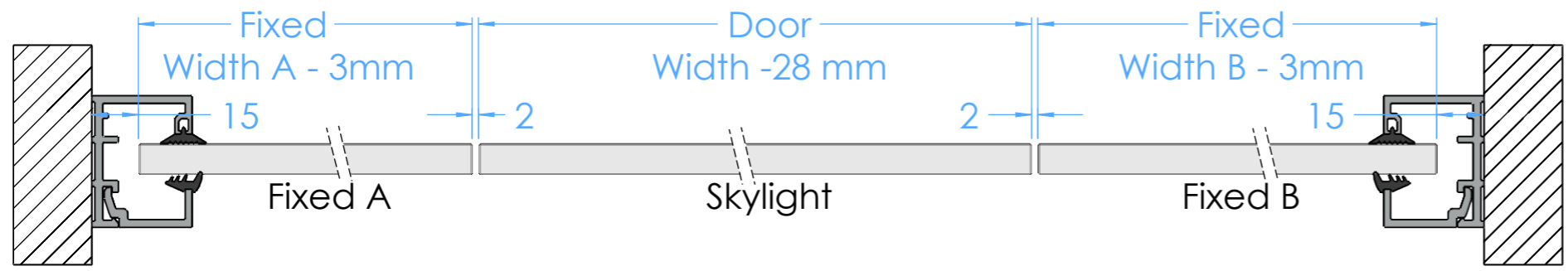
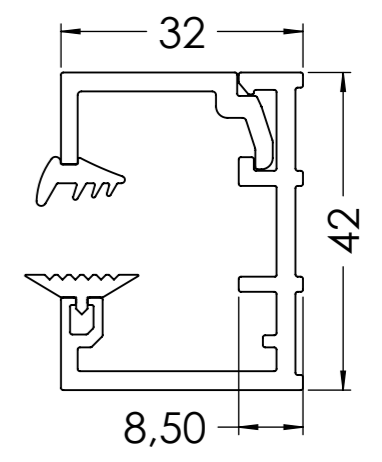
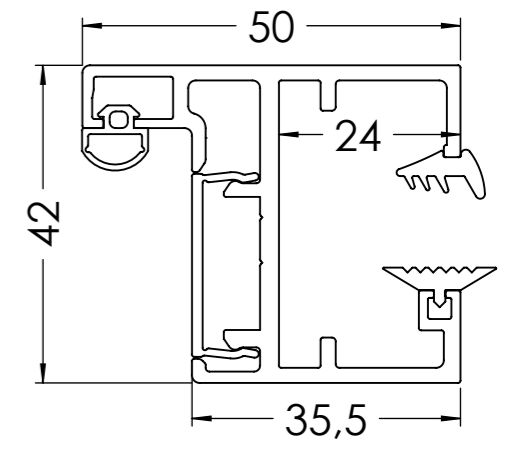
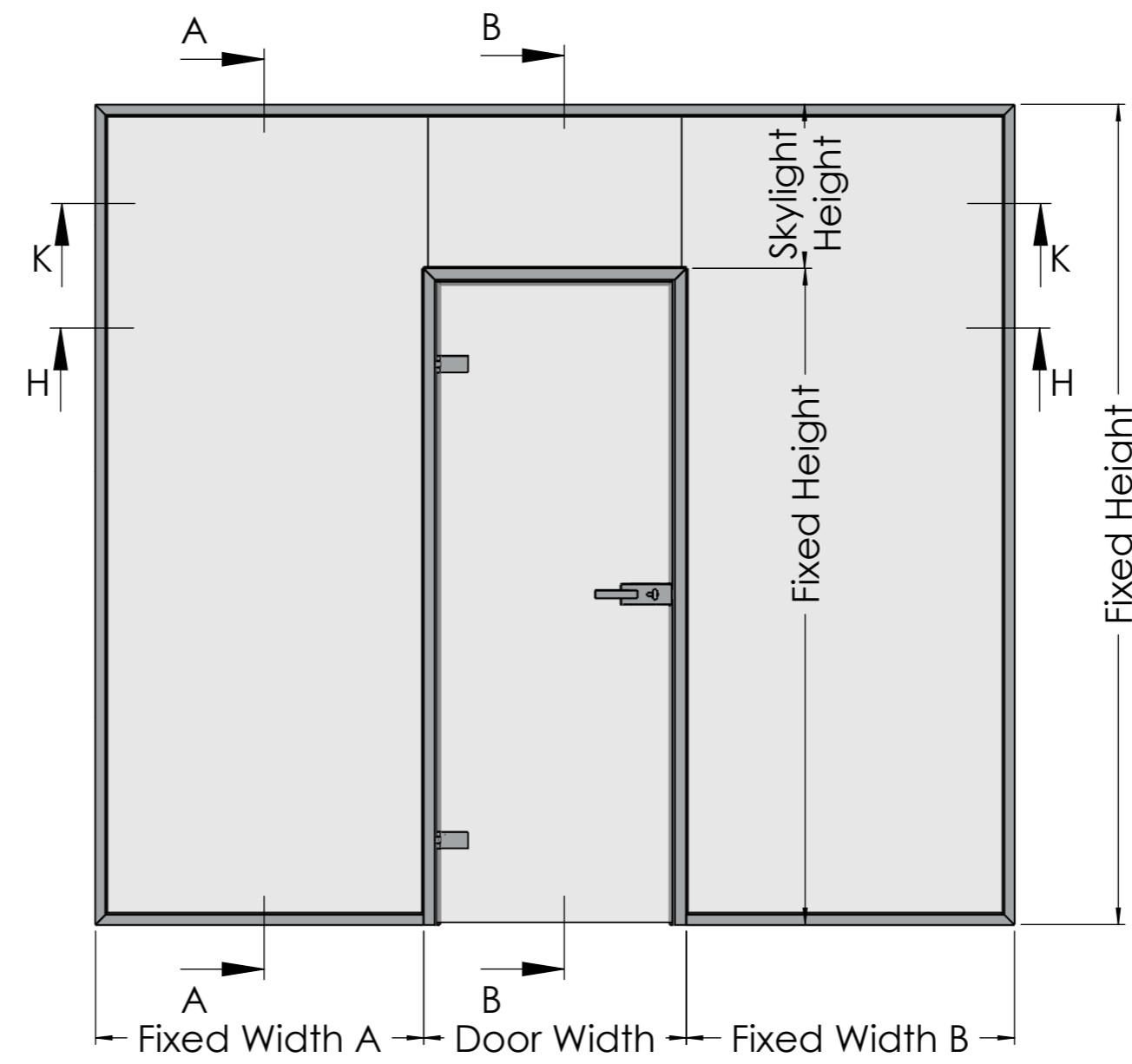
A4



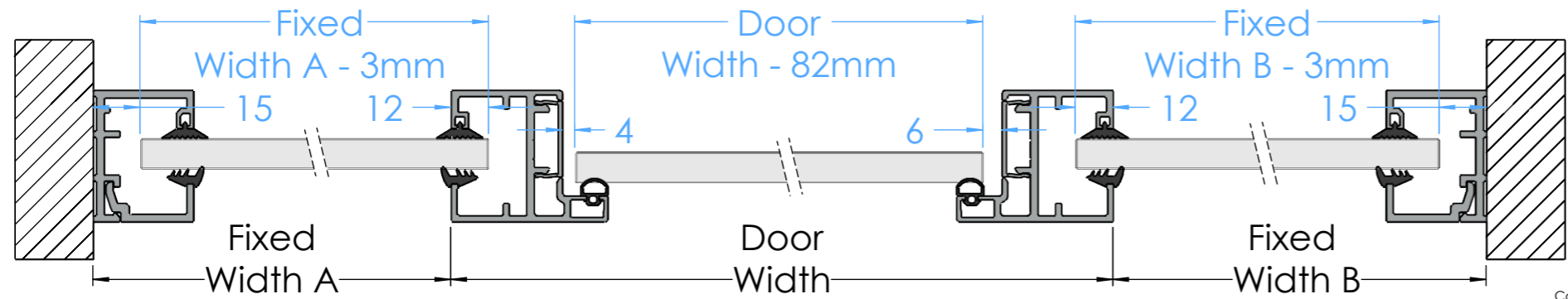
SECTION B-B



SECTION A-A




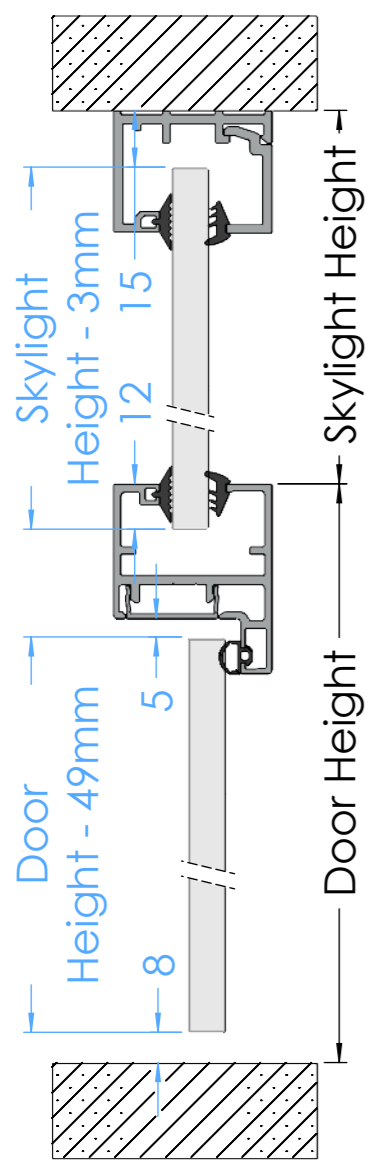
SECTION K-K



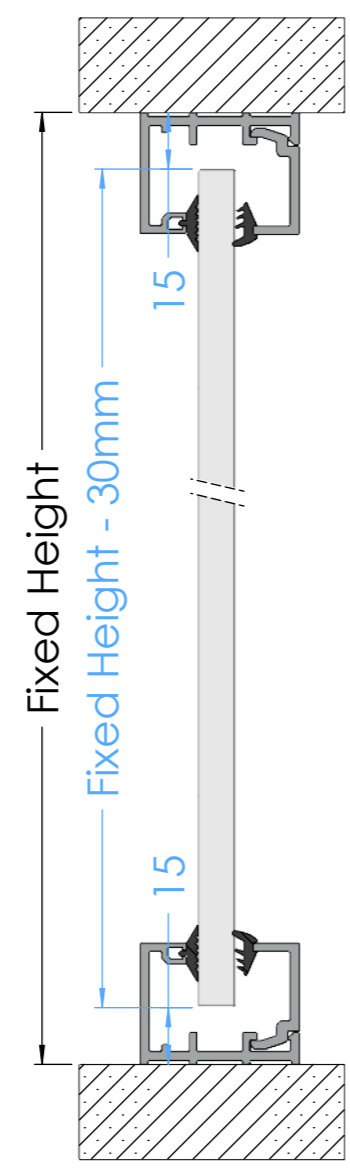
SECTION H-H

Copyright Panidis SA. All rights reserved.

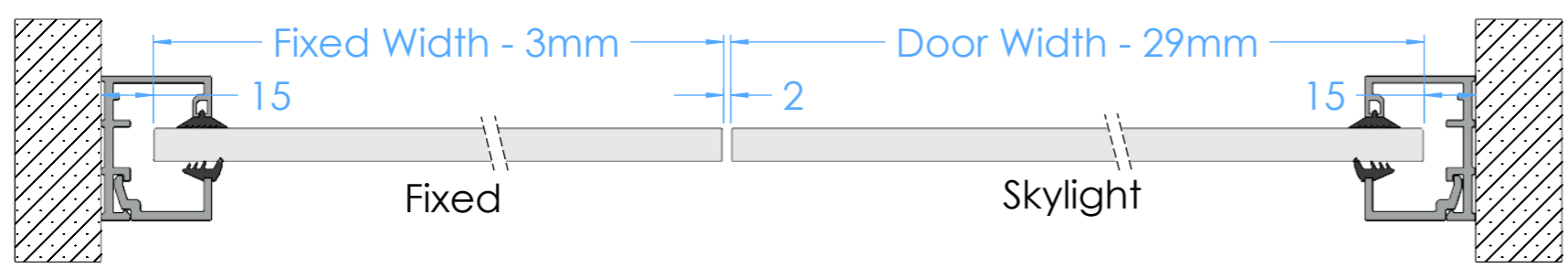
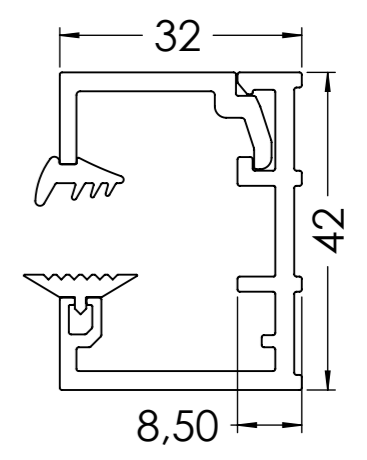
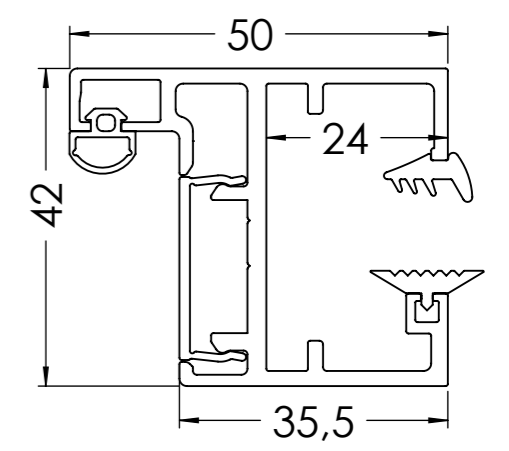
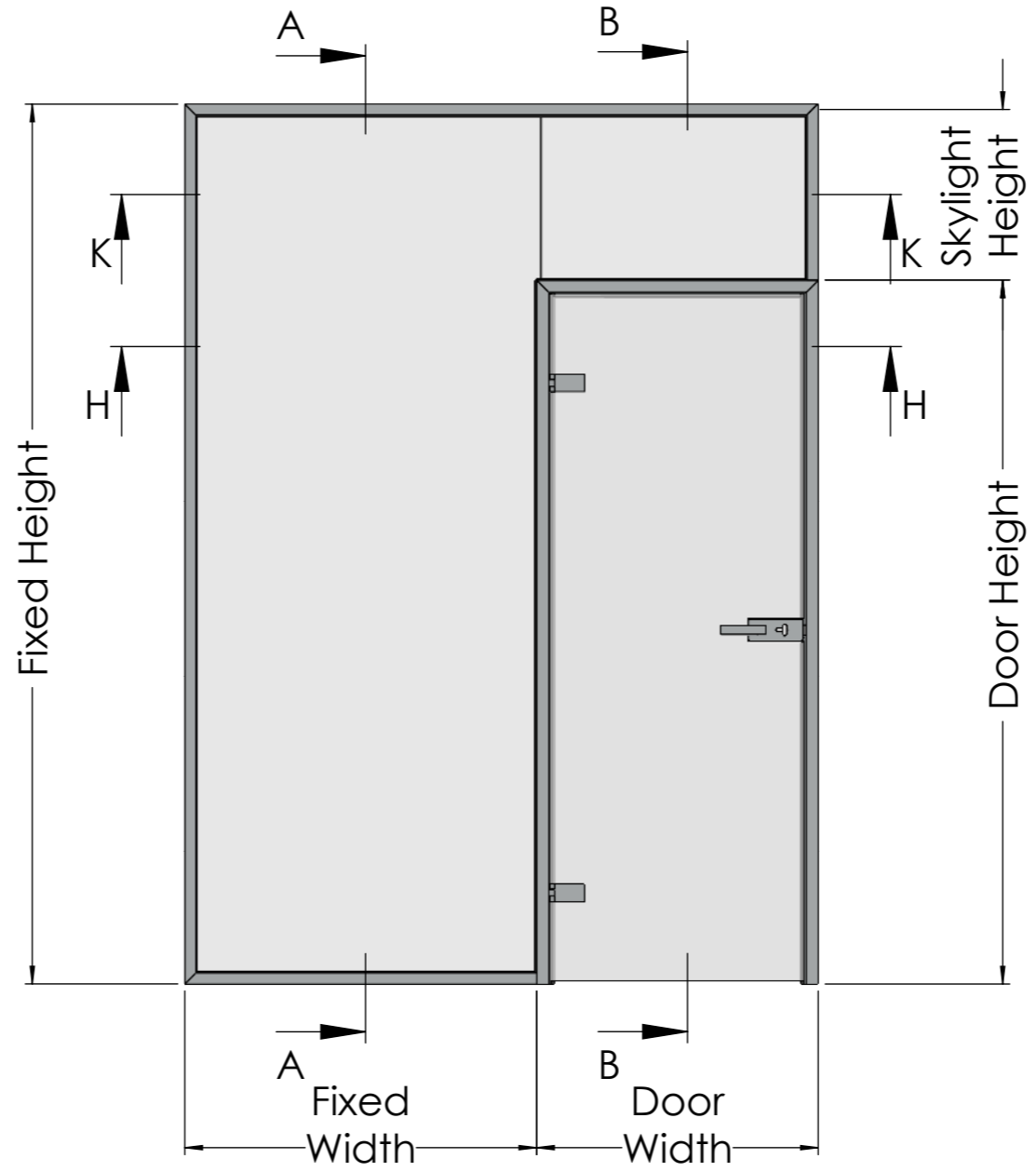
 <small>MAKEDONIKI • ALUMINIUM SYSTEM COMPONENTS</small>	
<small>PANIDIS S.A.</small> <small>PRODUCTION OF ALUMINIUM RAILING SYSTEMS & ACCESSORIES</small> <small>TEL: +30 2310 780352-784 519, FAX: +30 2310 783764</small> <small>www.panidis-sa.com e-mail: info@panidis-sa.com</small>	
DWG NO. GF-20 Calculation of glass panels	
MATERIAL:	WEIGHT:
REVISION:	DATE: 29/10/2021
DO NOT SCALE DRAWING	
UNLESS OTHERWISE SPECIFIED: DIMENSIONS ARE IN MILLIMETERS	SHEET 2 OF 5
TOLERANCES: LINEAR: ANGULAR:	SCALE:
A3	



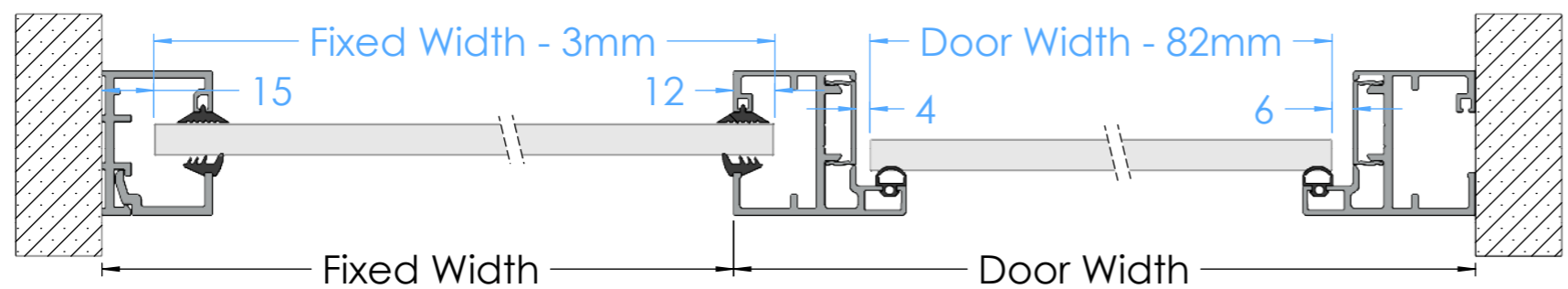
SECTION B-B



SECTION A-A

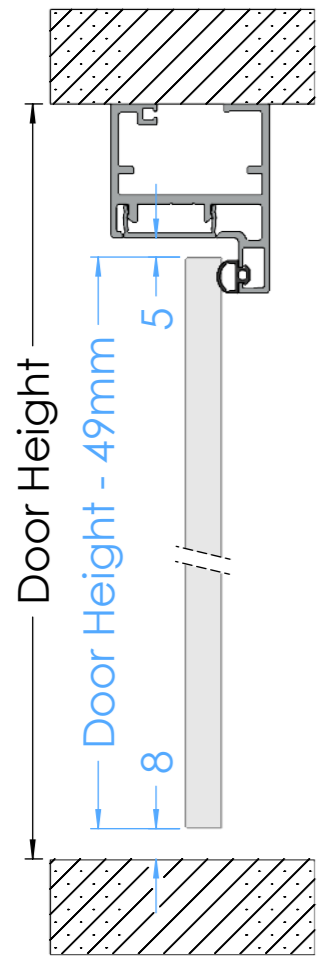


SECTION K-K

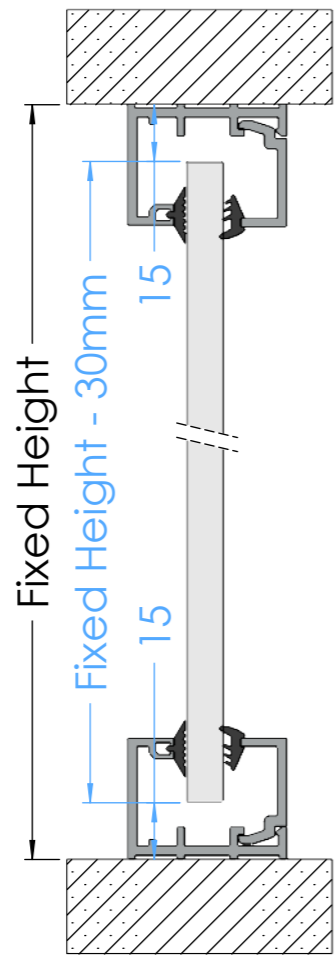


SECTION H-H

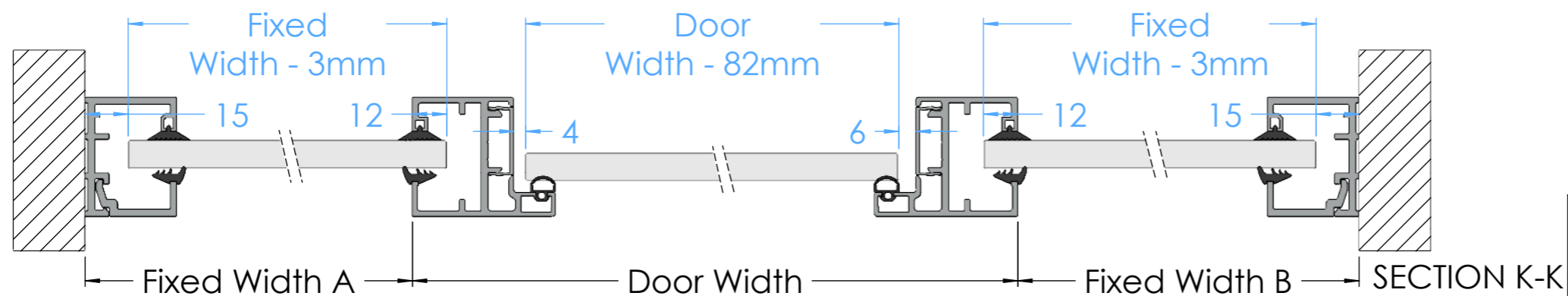
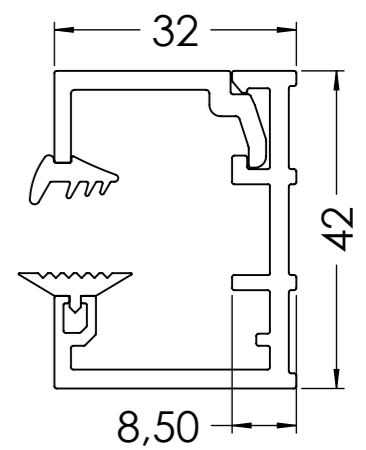
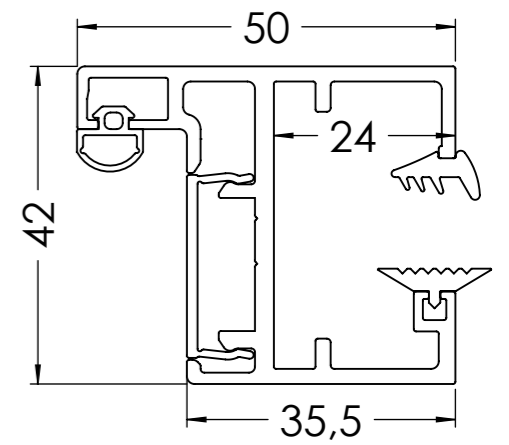
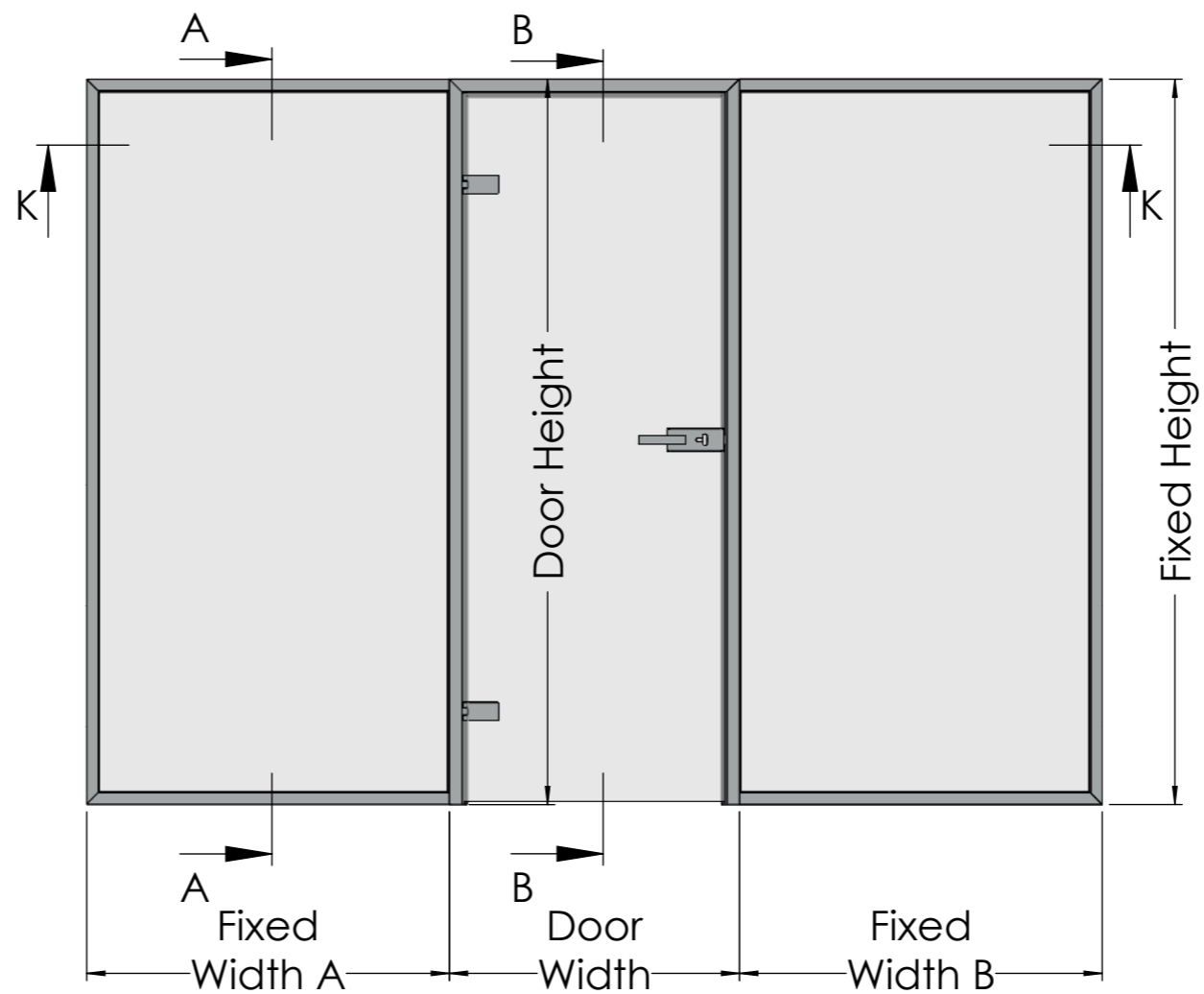
PANIDIS <small>MAKEDONIKI • ALUMINIUM SYSTEM COMPONENTS</small>	
<small>PANIDIS S.A. PRODUCTION OF ALUMINIUM RAILING SYSTEMS & ACCESSORIES TEL: +30 2310 780352-784 519, FAX: +30 2310 783764 www.panidis-sa.com e-mail: info@panidis-sa.com</small>	
DWG NO. GF-20 Calculation of glass panels	
MATERIAL:	WEIGHT:
REVISION:	DATE: 13/5/2022
UNLESS OTHERWISE SPECIFIED: DIMENSIONS ARE IN MILLIMETERS	
TOLERANCES:	SCALE:
LINEAR:	ANGULAR:
A3	



SECTION B-B



SECTION A-A

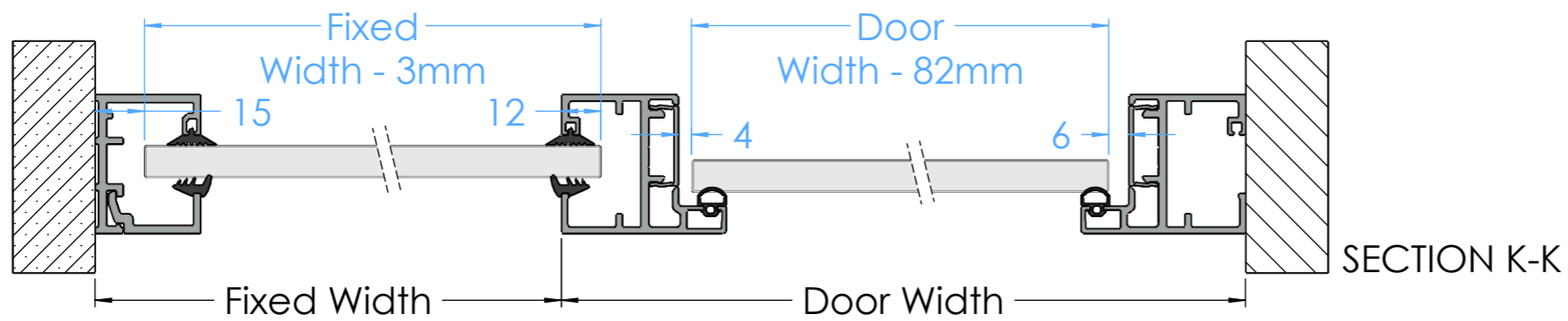
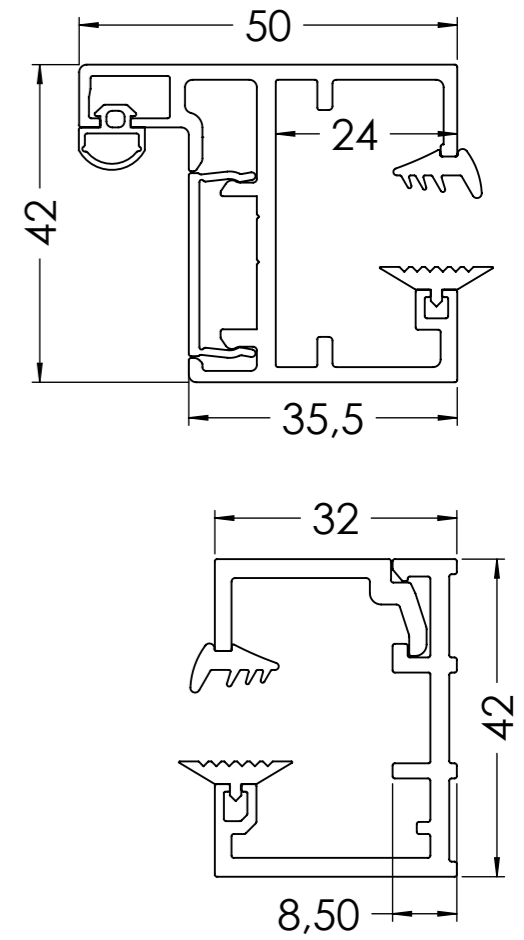
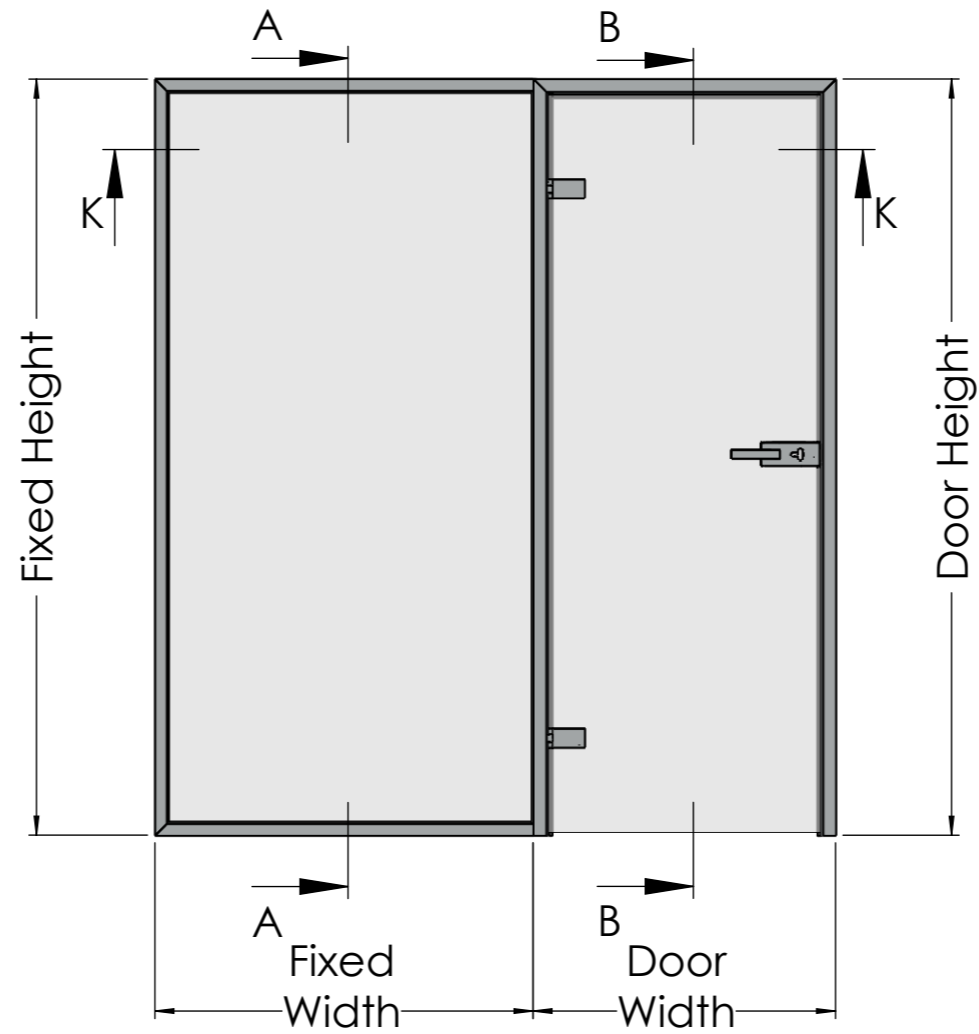
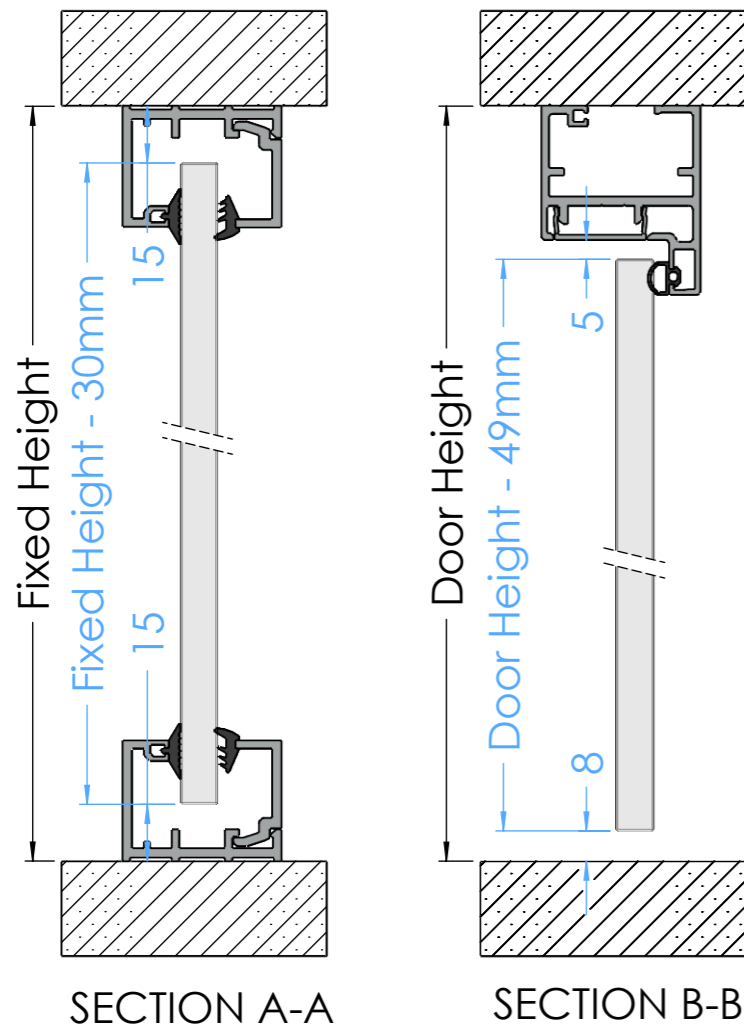


SECTION K-K



PANIDIS S.A
 PRODUCTION OF ALUMINIUM RAILING SYSTEMS & ACCESSORIES
 TEL: +30 2310 780352-784 519, FAX: +30 2310 783764
 www.panidis-sa.com e-mail: info@panidis-sa.com

DWG NO. GF-20		SHEET 4 OF 5	A3
Calculation of glass panels			
MATERIAL:	WEIGHT:		
REVISION:	DATE: 13/5/2022	DO NOT SCALE DRAWING	
UNLESS OTHERWISE SPECIFIED: DIMENSIONS ARE IN MILLIMETERS			
TOLERANCES:	LINEAR:	SCALE:	
	ANGULAR:		



PANIDIS
 MAKEDONIKI • ALUMINIUM SYSTEM COMPONENTS

PANIDIS S.A.
 PRODUCTION OF ALUMINIUM RAILING SYSTEMS & ACCESSORIES
 TEL: +30 2310 780352-784 519, FAX: +30 2310 783764
 www.panidis-sa.com e-mail: info@panidis-sa.com

DWG NO. **GF-20**
 Glass panel calculation

MATERIAL:	WEIGHT:
REVISION:	DATE: 29/10/2021
UNLESS OTHERWISE SPECIFIED: DIMENSIONS ARE IN MILLIMETERS	DO NOT SCALE DRAWING
TOLERANCES:	LINEAR: SHEET 5 OF 5
ANGULAR:	SCALE: A3