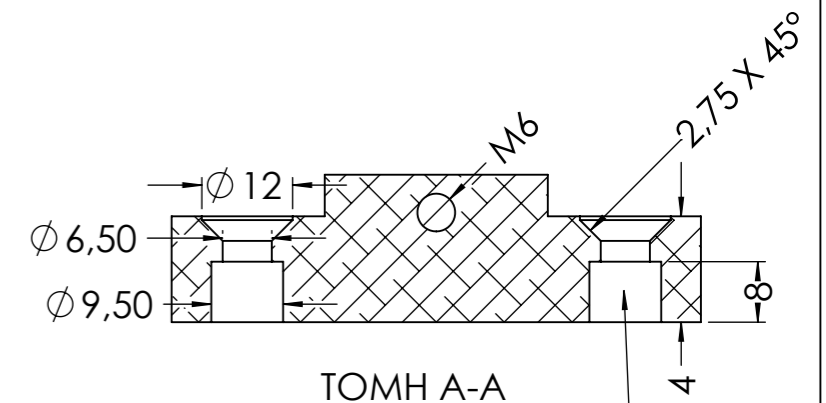
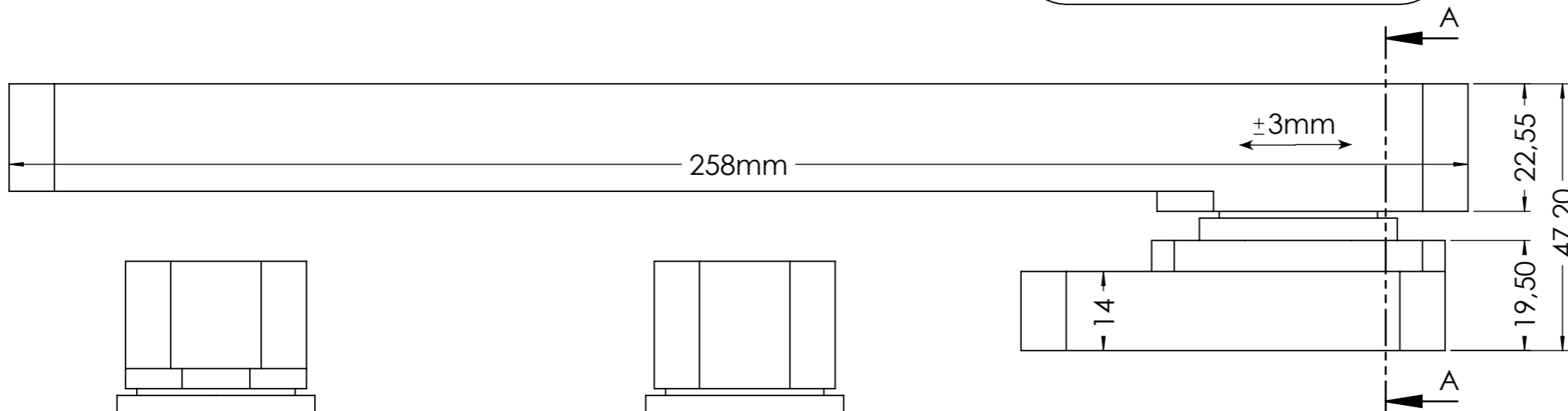
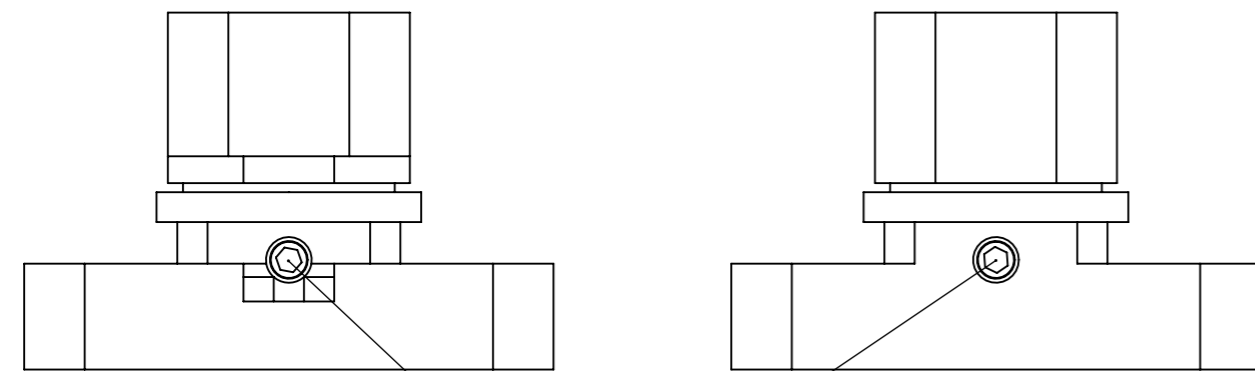


SCALE 1 : 2

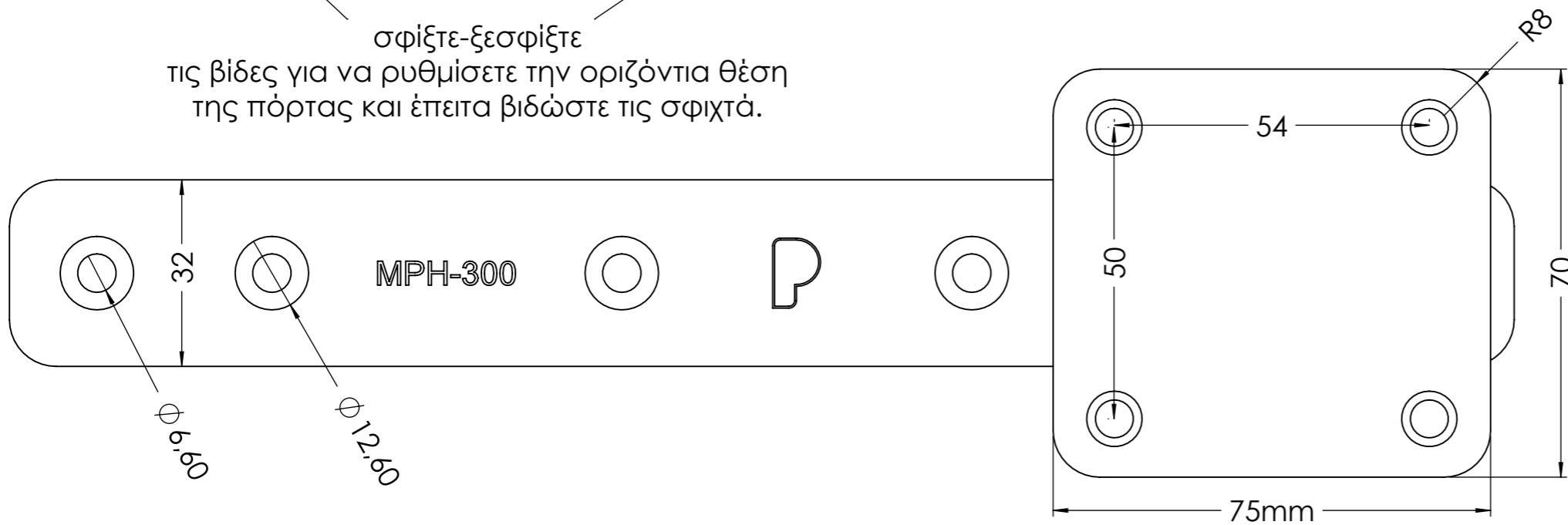



TOMH A-A

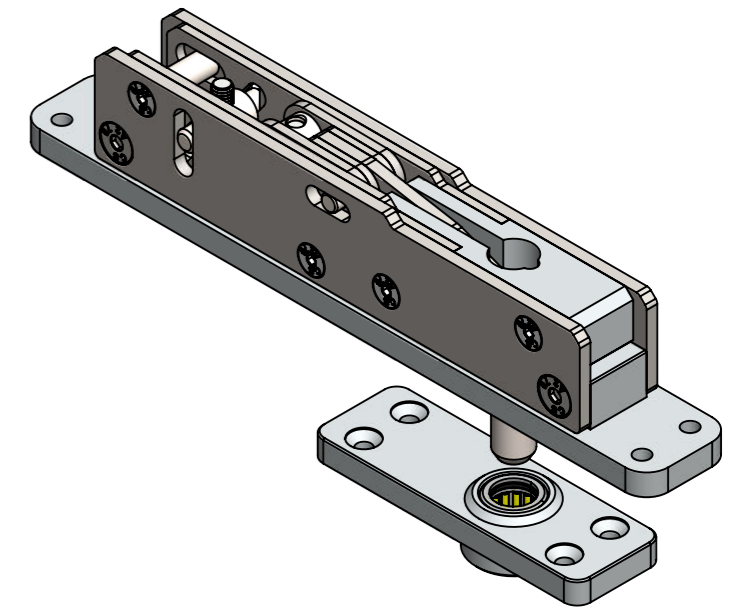
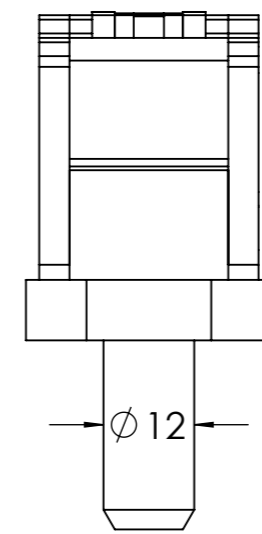
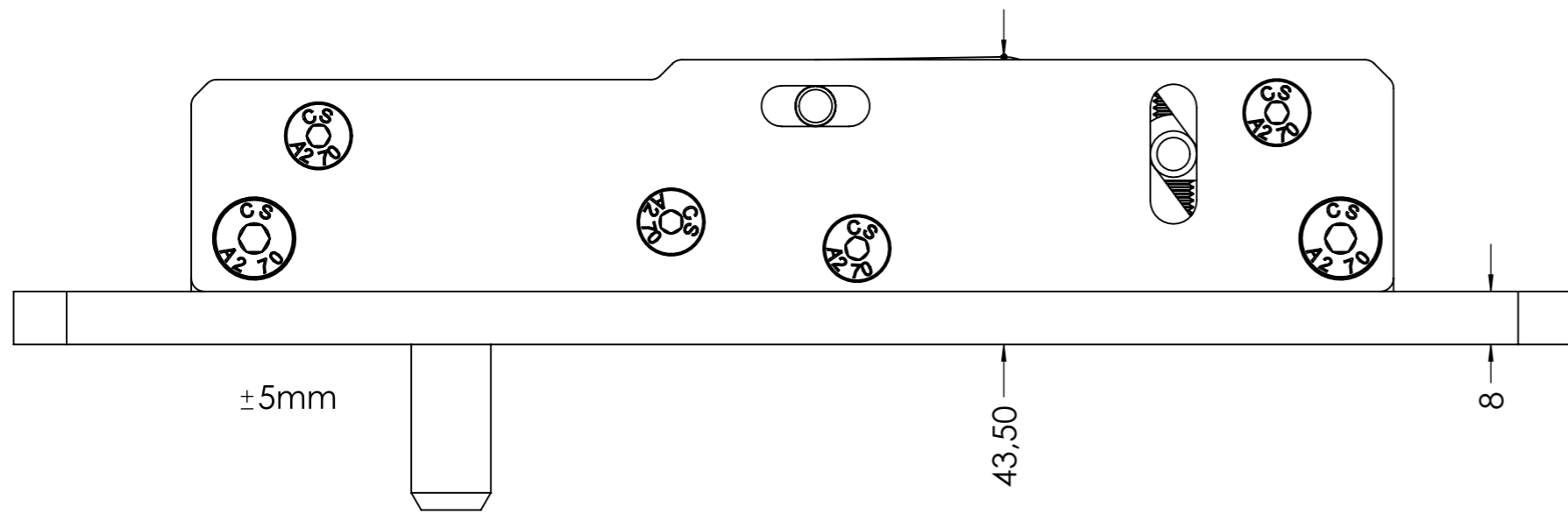
Κοιλότητα για περτσίνι



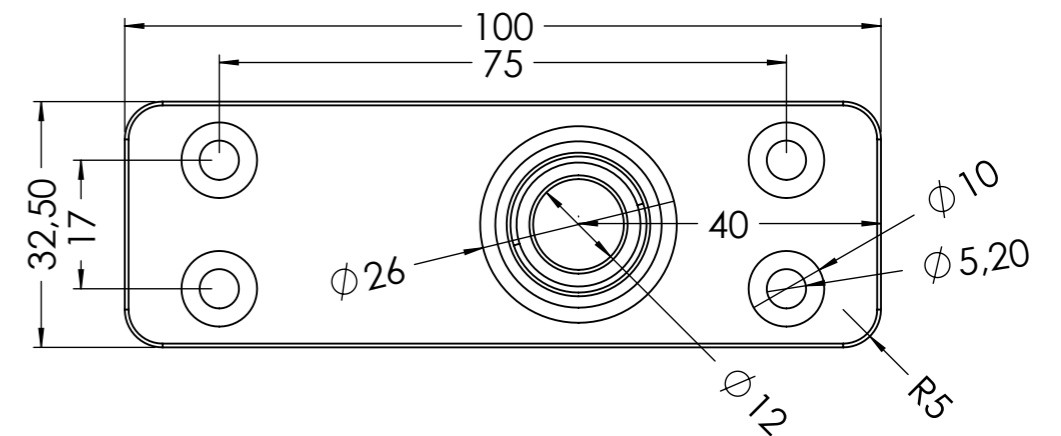
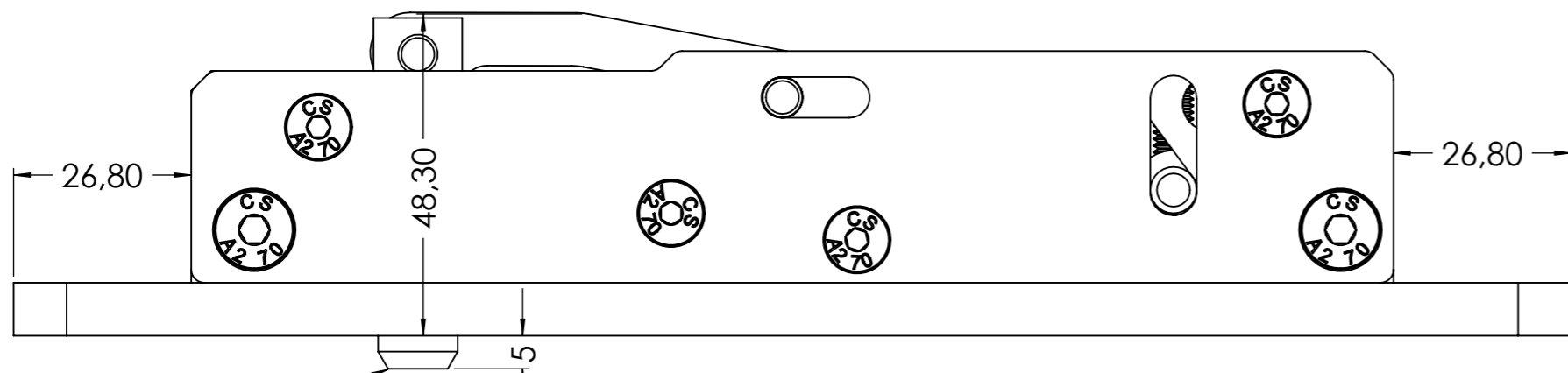
σφιξτε-ξεσφιξτε τις βίδες για να ρυθμίσετε την οριζόντια θέση της πόρτας και έπειτα βιδώστε τις σφιχτά.



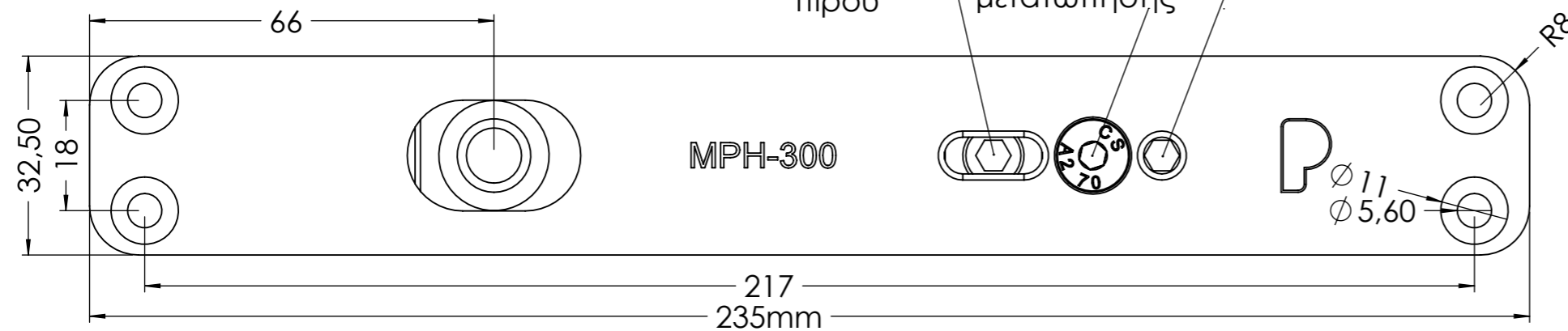
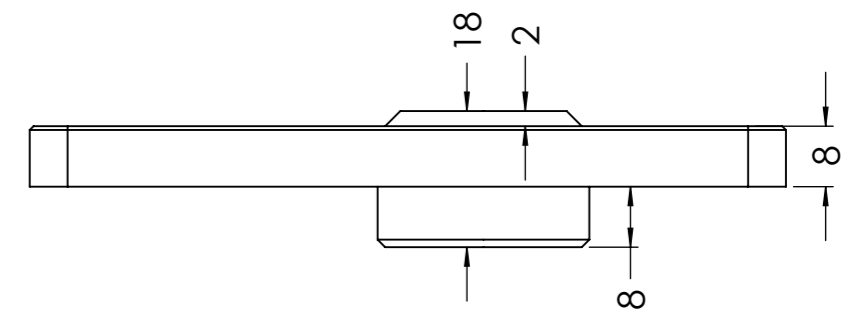
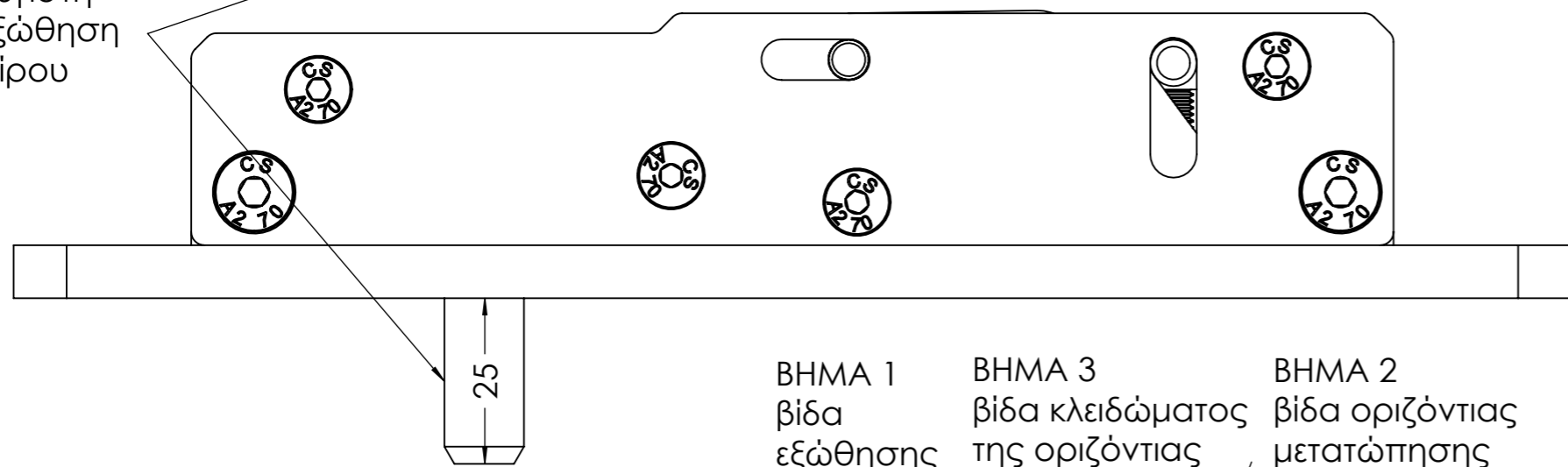
 <p>PANIDIS MAKEDONIKI • ALUMINIUM SYSTEM COMPONENTS</p>	
<p>PANIDIS S.A. PRODUCTION OF ALUMINIUM RAILING SYSTEMS & ACCESSORIES TEL: +30 2310 780352-784 519, FAX: +30 2310 783764 www.panidis-sa.com e-mail: info@panidis-sa.com</p>	
<p>DWG NO. MPH-301</p>	
MATERIAL: ANODIZED ALUMINIUM	WEIGHT:
REVISION:	DATE: 22/2/2022
DO NOT SCALE DRAWING	
UNLESS OTHERWISE SPECIFIED: DIMENSIONS ARE IN MILLIMETERS	
SHEET 1 OF 9	
TOLERANCES: LINEAR: ANGULAR:	SCALE: 1:1
A3	



SCALE 1 : 2



μέγιστη
εξώθηση
πίρου



PANIDIS
MAKEDONIKI • ALUMINIUM SYSTEM COMPONENTS

PANIDIS S.A.
PRODUCTION OF ALUMINIUM RAILING SYSTEMS & ACCESSORIES
TEL: +30 2310 780352-784 519, FAX: +30 2310 783764
www.panidis-sa.com e-mail: info@panidis-sa.com

DWG NO.

MPH-302

MATERIAL: ANODIZED ALUMINIUM

WEIGHT:

REVISION: DATE: 22/2/2022

DO NOT SCALE DRAWING

UNLESS OTHERWISE SPECIFIED:
DIMENSIONS ARE IN MILLIMETERS

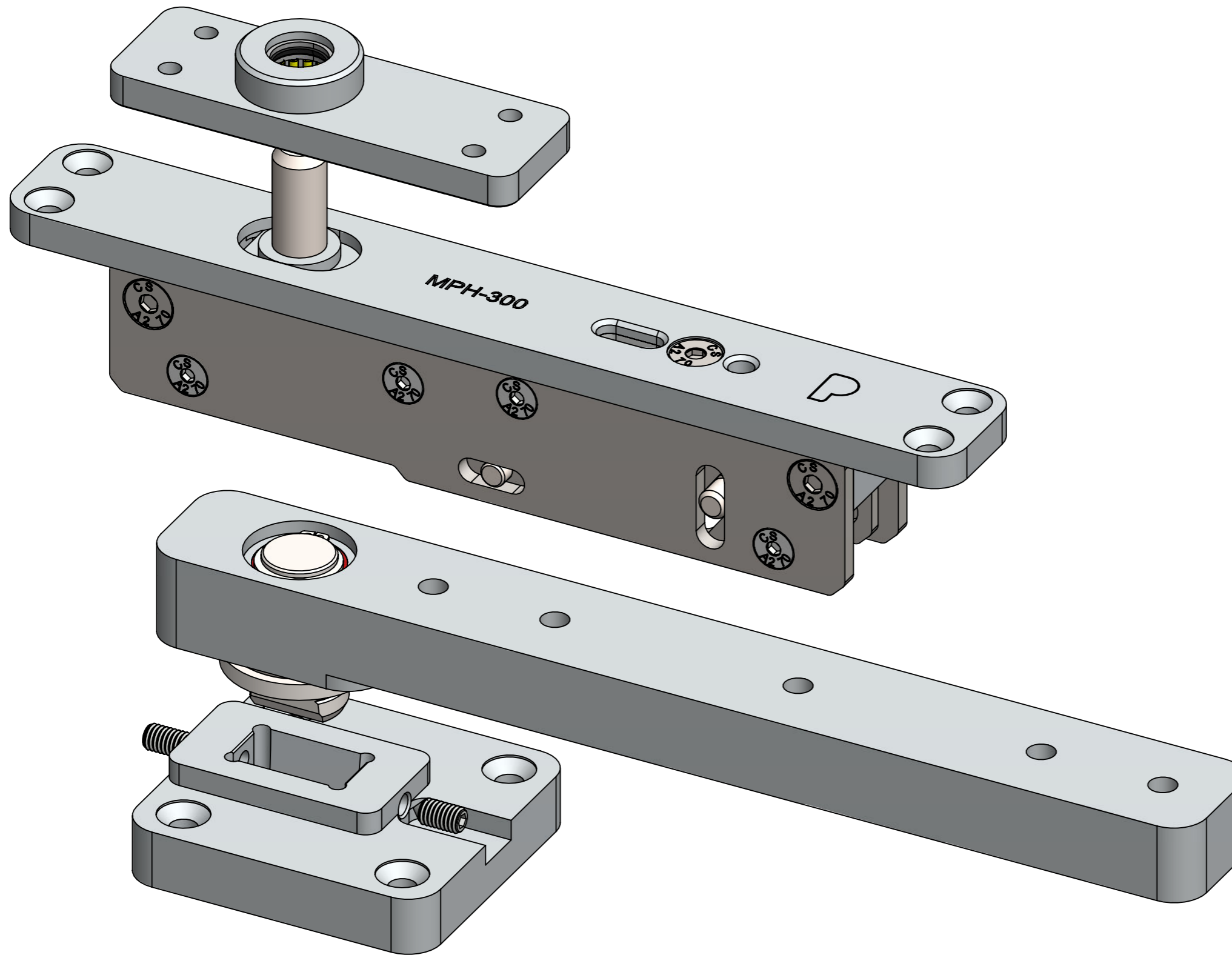
SHEET 4 OF 9

TOLERANCES: LINEAR: ANGULAR:

SCALE: 1:1

A3

HINGE PIVOT - MPH-300



PANIDIS 
 MAKEDONIKI • ALUMINIUM SYSTEM COMPONENTS

PANIDIS S.A.
 PRODUCTION OF ALUMINIUM RAILING SYSTEMS & ACCESSORIES
 TEL: +30 2310 780352-784 519, FAX: +30 2310 783764
 www.panidis-sa.com e-mail: info@panidis-sa.com

DWG NO.

MPH-300

MATERIAL: ANODIZED ALUMINIUM

WEIGHT:

REVISION: DATE:

DO NOT SCALE DRAWING

UNLESS OTHERWISE SPECIFIED:
 DIMENSIONS ARE IN MILLIMETERS

SHEET 6 OF 9

TOLERANCES: LINEAR: ANGULAR:

SCALE: 1:1

A3