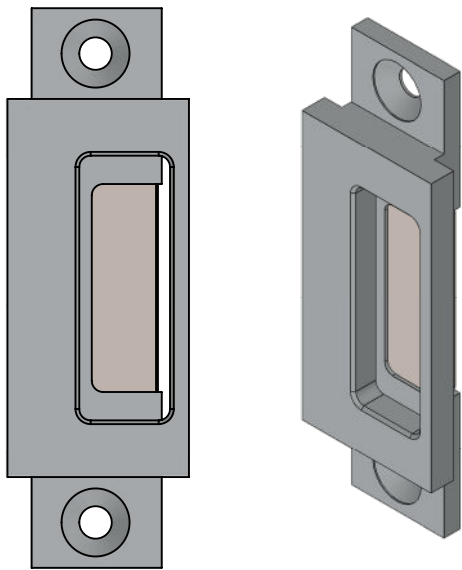
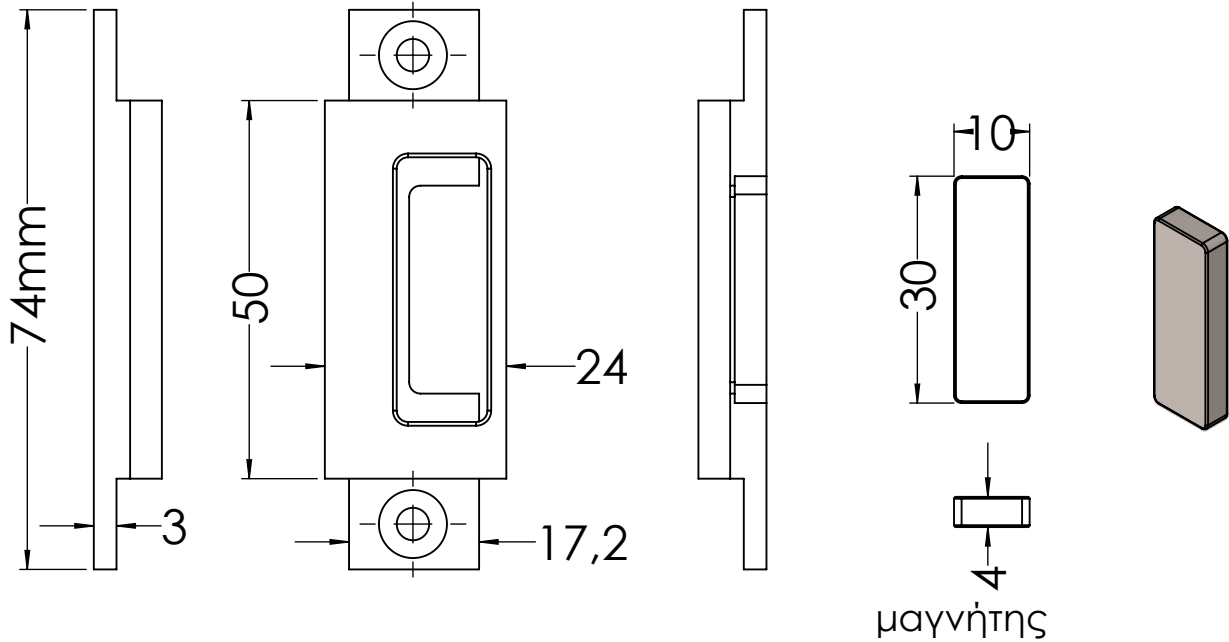


Μαγνητικό αντίκρουσμα συμβατό με: GF-10 / GF-10-M / GF-20



Copyright Panidis SA. All rights reserved.

| | | |
|---|----------|----------------------|
| | | |
| PANIDIS S.A. PRODUCTION OF ALUMINIUM RAILING SYSTEMS & ACCESSORIES TEL: +30 2310 780352-784 519, FAX: +30 2310 783764 www.panidis-sa.com e-mail: info@panidis-sa.com | | |
| DWG NO. | | GL-102 |
| MATERIAL: ANODIZED ALUMINIUM | WEIGHT: | |
| REVISION: | DATE: | DO NOT SCALE DRAWING |
| UNLESS OTHERWISE SPECIFIED: DIMENSIONS ARE IN MILLIMETERS | | SHEET 1 OF 1 |
| TOLERANCES: LINEAR: | ANGULAR: | SCALE: 1:1 |
| | | A4 |