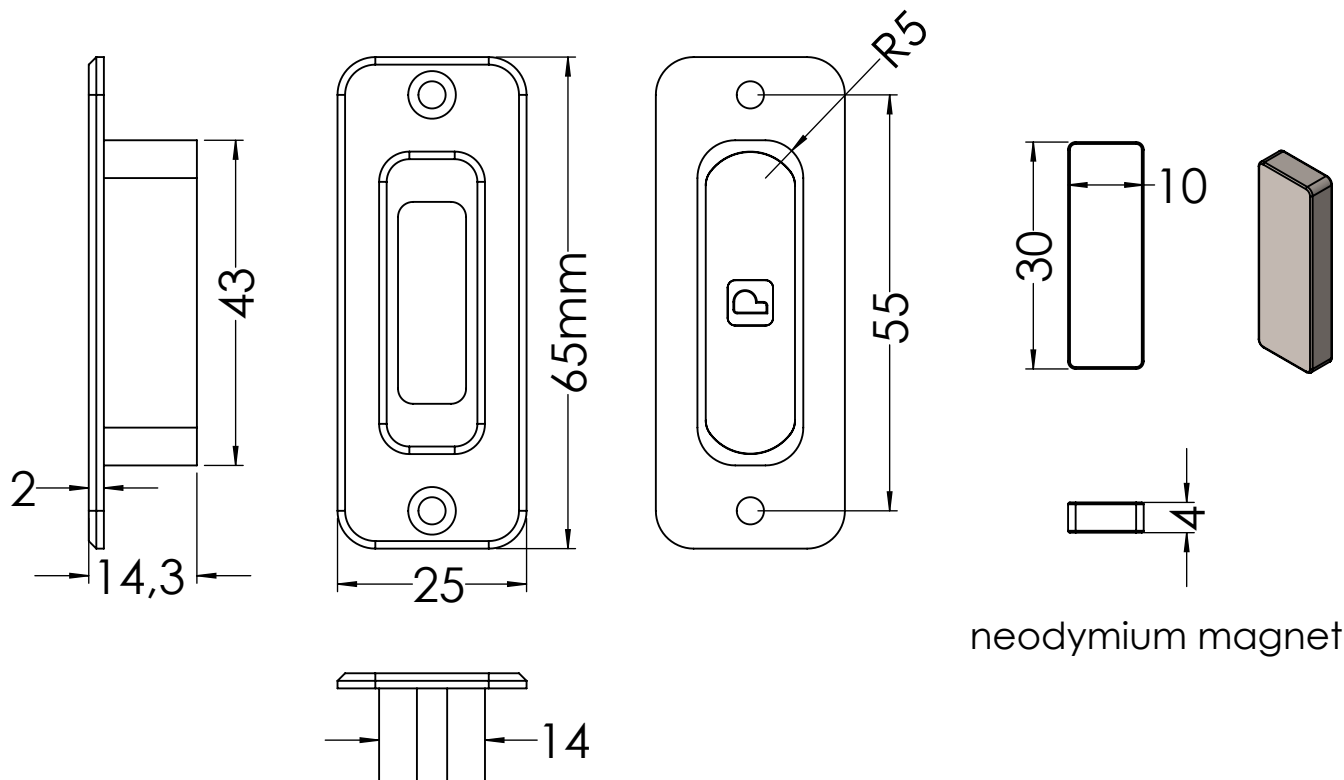
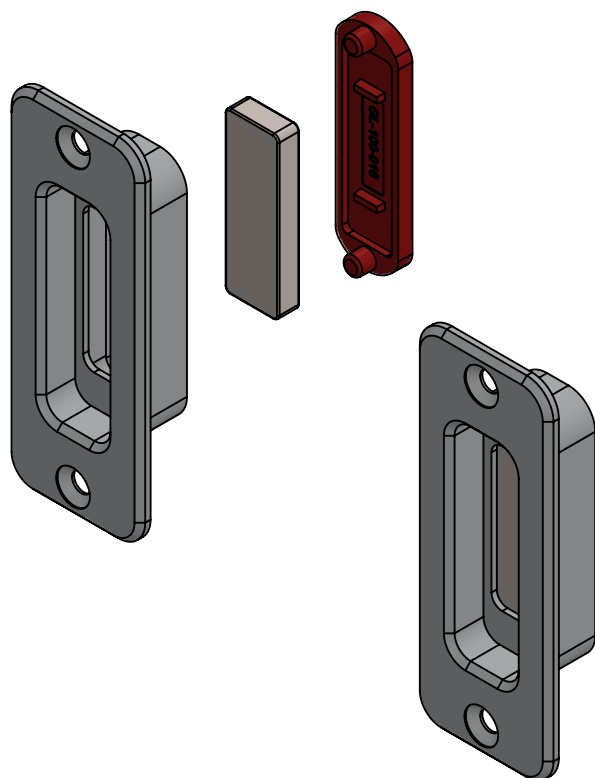



# universal magnetic strike plate



neodymium magnet



 <p><b>PANIDIS</b> MAKEDONIKI • ALUMINIUM SYSTEM COMPONENTS</p>	
<p><b>PANIDIS S.A</b> PRODUCTION OF ALUMINIUM RAILING SYSTEMS &amp; ACCESSORIES TEL:+30 2310 780352-784 519, FAX: +30 2310 783764 www.panidis-sa.com e-mail: info@panidis-sa.com</p>	
DWG NO.	
<b>GL-104</b>	
MATERIAL: ANODIZED ALUMINIUM	WEIGHT:
REVISION:	DATE:
DO NOT SCALE DRAWING	
SHEET 1 OF 1	
SCALE:1:1	
A4	