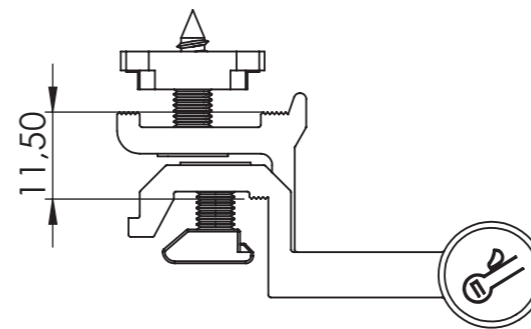
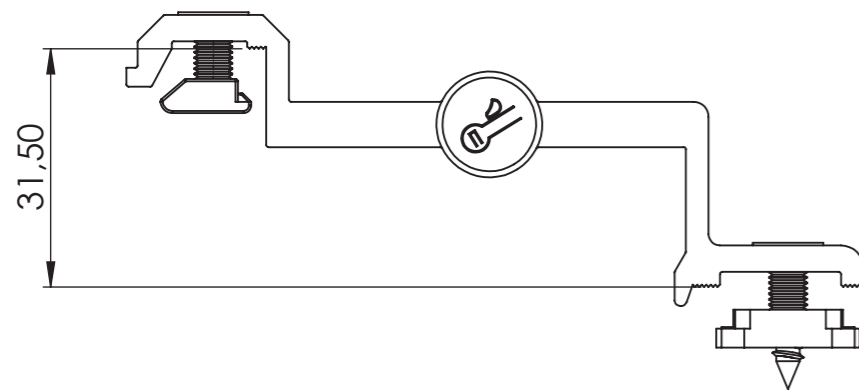
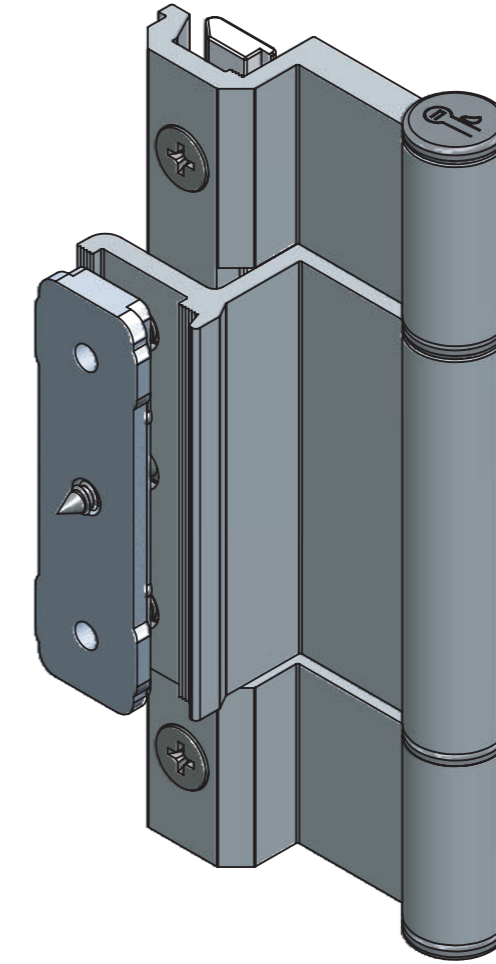
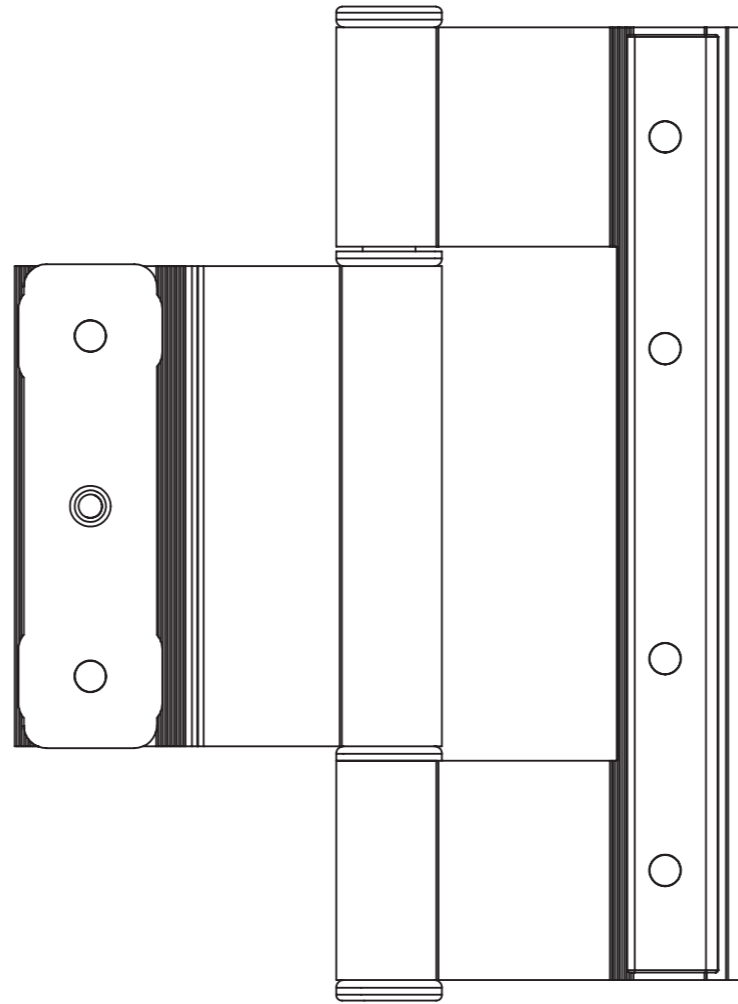
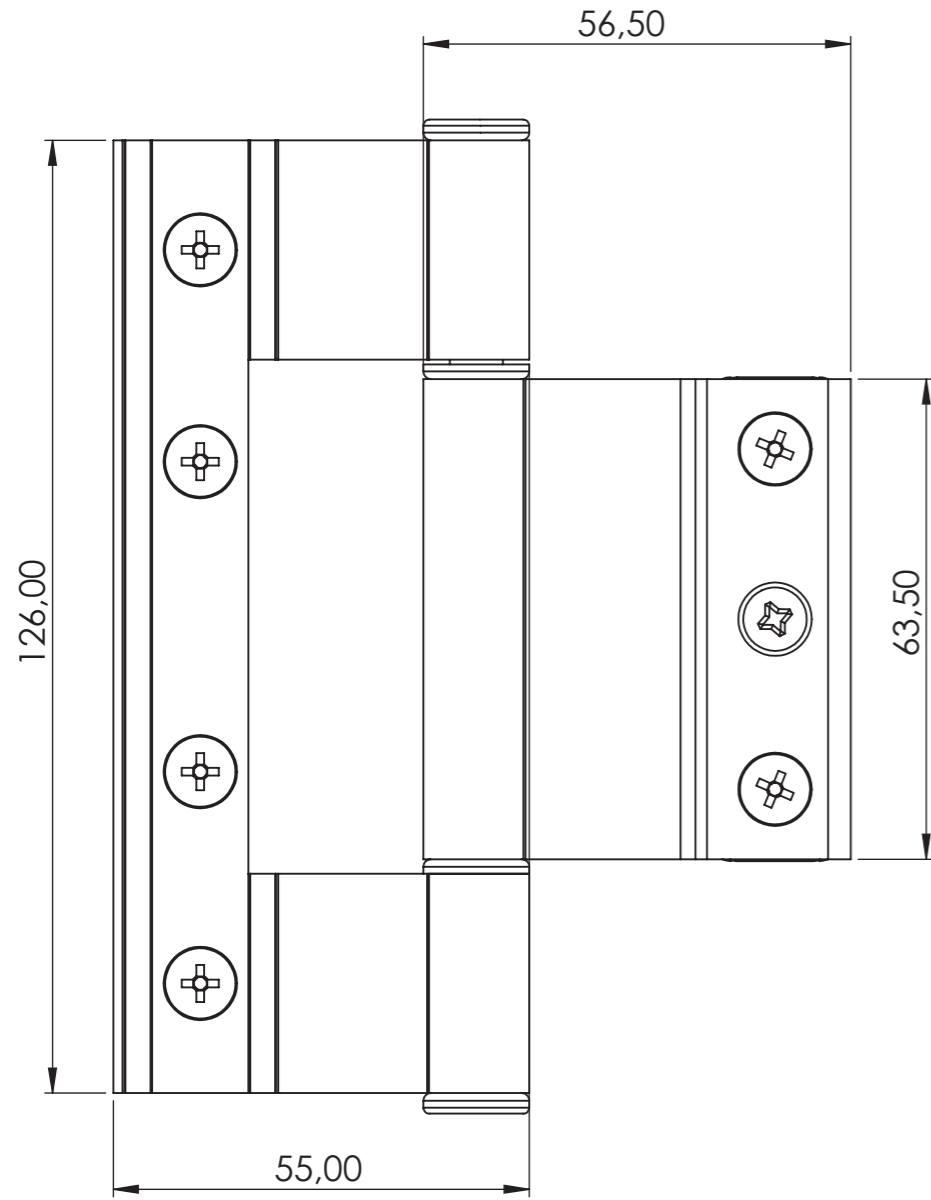


PANIDIS-SA - MM-10-52



PANIDIS P
 ΠΑΝΙΔΙΣ - ΑΛΥΜΙΝΙΟ ΣΥΣΤΗΜΑ ΕΞΑΡΤΗΜΑΤΩΝ

PANIDIS S.A
 PRODUCTION OF ALUMINUM RAILING SYSTEMS & ACCESSORIES
 TEL: +30 2310 780352-784 519, FAX: +30 2310 783764
 www.panidis-sa.com e-mail: info@panidis-sa.com

DWG NO.

MM-10-52

MATERIAL:	WEIGHT:
REVISION:	DO NOT SCALE DRAWING
UNLESS OTHERWISE SPECIFIED: DIMENSIONS ARE IN MILLIMETERS	
TOLERANCES:	LINEAR: ANGULAR: