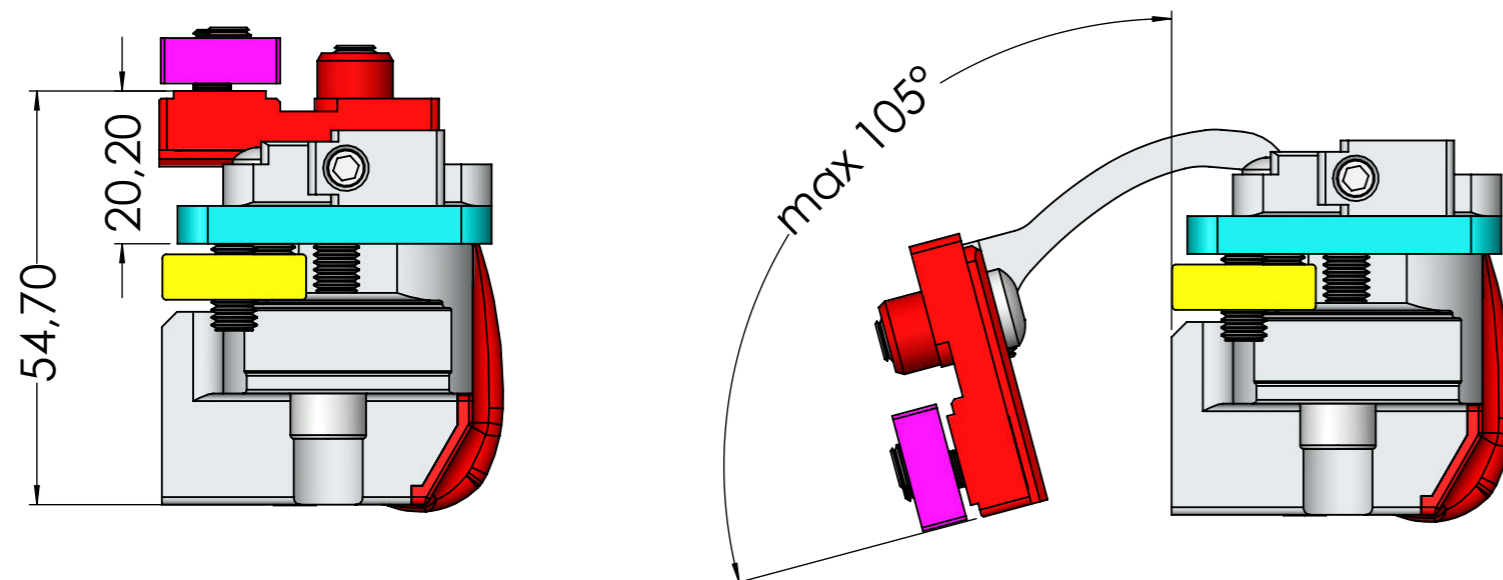
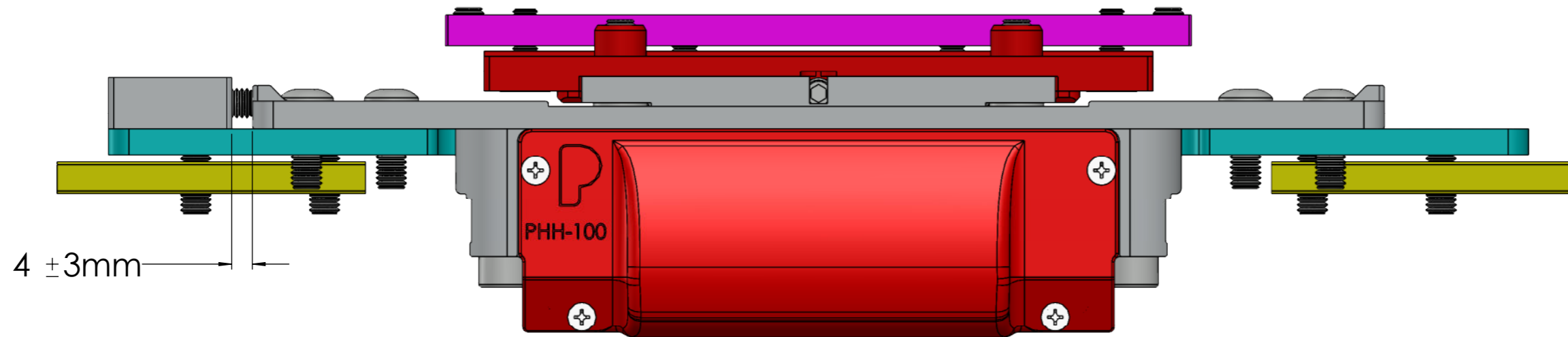
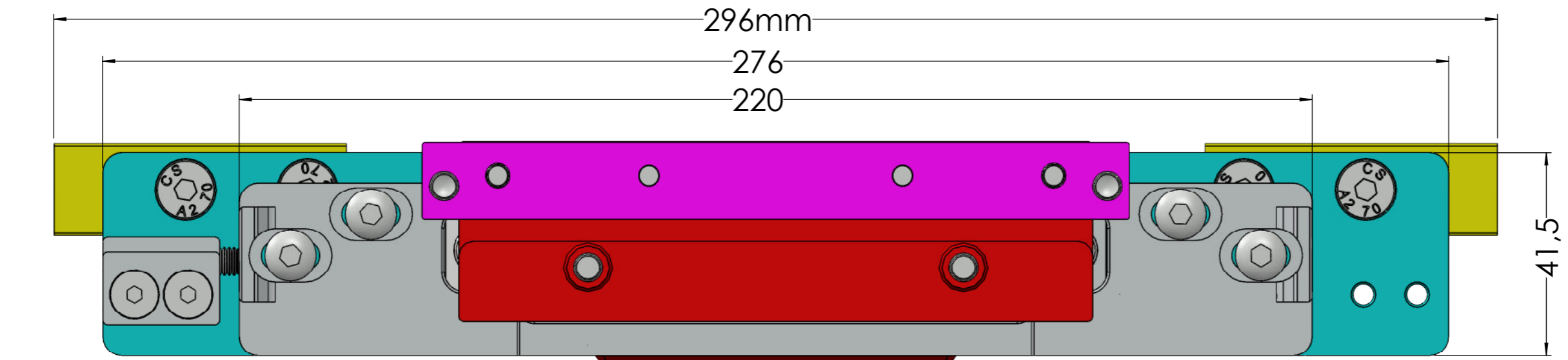


PANIDIS-SA - CONCEALED HINGE - PHH-100-M1 [POSITIONS]

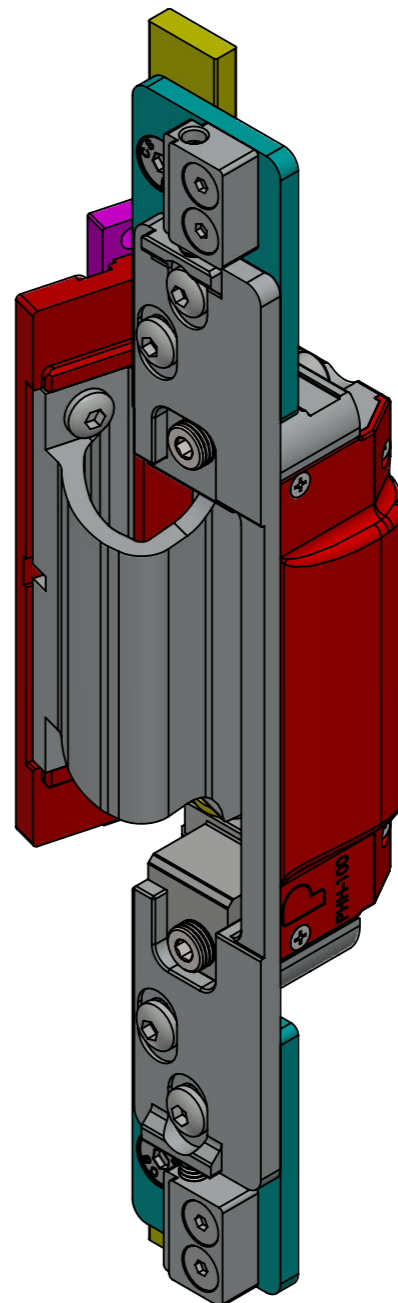
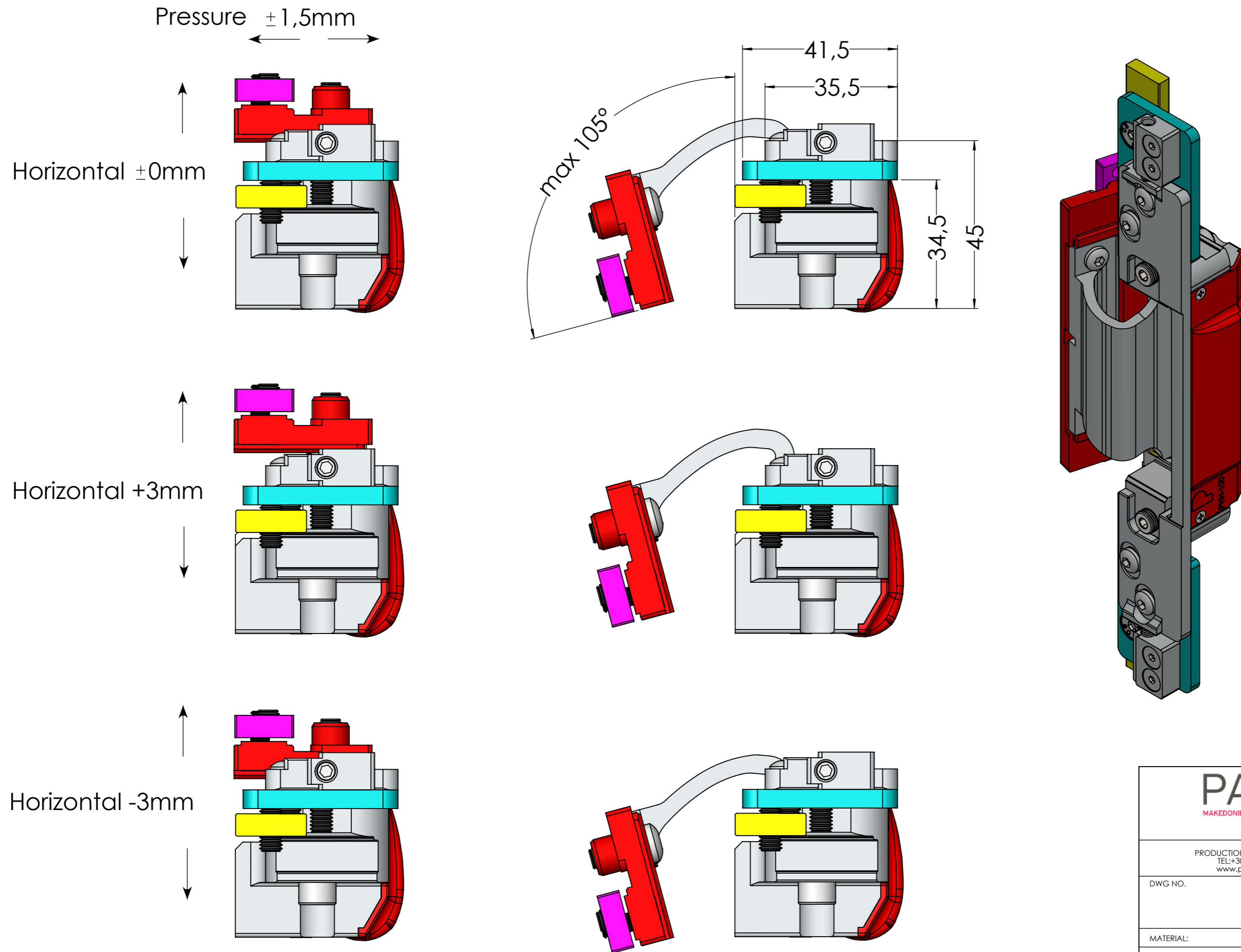



PANIDIS 
 MAKEDONIKI • ALUMINIUM SYSTEM COMPONENTS

PANIDIS S.A.
 PRODUCTION OF ALUMINIUM RAILING SYSTEMS & ACCESSORIES
 TEL: +30 2310 780352-784 519, FAX: +30 2310 783764
 www.panidis-sa.com e-mail: info@panidis-sa.com

DWG NO.		PHH-100-M1	
MATERIAL:	WEIGHT:		
REVISION:	DATE: 14/9/2022	DO NOT SCALE DRAWING	
UNLESS OTHERWISE SPECIFIED: DIMENSIONS ARE IN MILLIMETERS		SHEET 1 OF 2	
TOLERANCES:	LINEAR: ANGULAR:	SCALE: 1:5	A3

PANIDIS-SA - CONCEALED HINGE - PHH-100-M1 [POSITIONS]



PANIDIS  <small>MAKEDONIKI • ALUMINIUM SYSTEM COMPONENTS</small>	
<small>PANIDIS S.A. PRODUCTION OF ALUMINIUM RAILING SYSTEMS & ACCESSORIES TEL: +30 2310 780352-784 519, FAX: +30 2310 783764 www.panidis-sa.com e-mail: info@panidis-sa.com</small>	
DWG NO.	PHH-100-M1
MATERIAL:	WEIGHT:
REVISION:	DATE: 14/9/2022
UNLESS OTHERWISE SPECIFIED: DIMENSIONS ARE IN MILLIMETERS	
TOLERANCES:	LINEAR: SCALE: 1:5
	ANGULAR: